



# Arcor™2

## Style and safety



- > Unit for direct flush-mounting in ceiling or false ceiling
- > Transparent plate for improved light reproduction



> Direct flush-mounting



> Aluminium or white finish  
> Wall or flag mounting

**Arcor™2**  
Self-contained emergency lighting luminaires

**NEW**



625 40



625 40 flush-mounting + 625 83



625 80



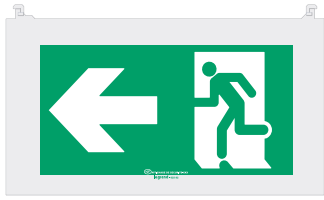
625 40 + 625 80 + 625 82

Pack	Cat.Nos		Self-contained emergency edge lighting luminaires
			<p>Equipped with long-life cold cathode fluorescent tube (&gt; 50,000 hours)                      Certified to IEC 60598-2-22 and EN 60598-2-22 standards                      Lumen output: 45 lumens                      Duration: 1 hour                      Rest mode with remote control units Legrand Cat.No 039 01                      Power supply 230 V ~ - 50/60 Hz                      IP 20 - class II</p> <p>Autotest luminaires incorporate an automatic self-testing system:</p> <ul style="list-style-type: none"> <li>- weekly test: emergency operation and lamp check</li> <li>- quarterly test: emergency operation and duration check</li> <li>- green (OK) and yellow (defect) LEDs display the result of the tests</li> </ul> <p>Autotest and addressable luminaires can operate as addressable luminaires by setting an address on internal microswitches and wiring a complementary bus line</p> <p>The operating state of the luminaires is controlled by the central control panel (Cat.No 625 15) and can be monitored on the building's plan with Legrand Vision System (L.V.S.) software</p> <p>Unit for direct flush-mounting:</p> <ul style="list-style-type: none"> <li>- on self-supporting ceilings using quick-fit fixing claws</li> <li>- on false ceilings using holding claws and fastening system for safety tie or by 1/4 - turn for threaded rod</li> </ul> <p>Shallow depth (80 mm)                      Option of mounting as wall strip or flag with fixing kit Cat.No 625 80/625 81</p>
1	Auto-test addressable	Auto-test	Maintained
	625 42	625 40	
1	625 43	625 41	Non-maintained
			Equipped with long life LED standby indicator (> 100,000 hours)
			<b>Fixing kit for mounting as wall strip or flag</b>
			Kit comprising:
			- 1 mounting bracket
			- 1 casing
1		625 80	Aluminium Finish
1		625 81	White Finish

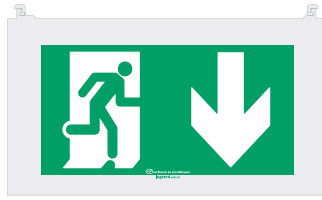
NEW

**Arcor™2**  
pictogram plates

**Arcor™2**  
Self-contained emergency lighting luminaires



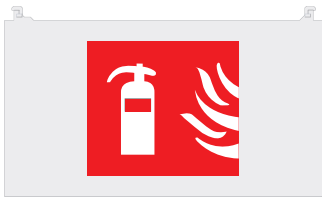
625 82



625 83



625 88

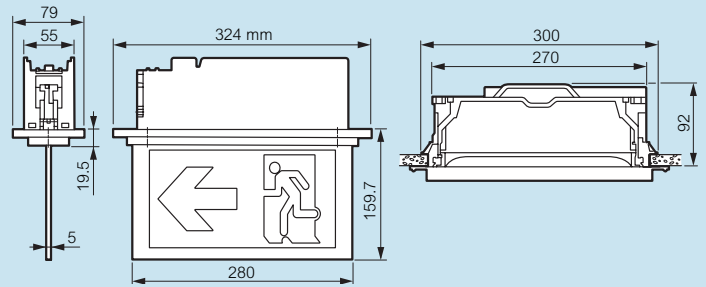


625 86

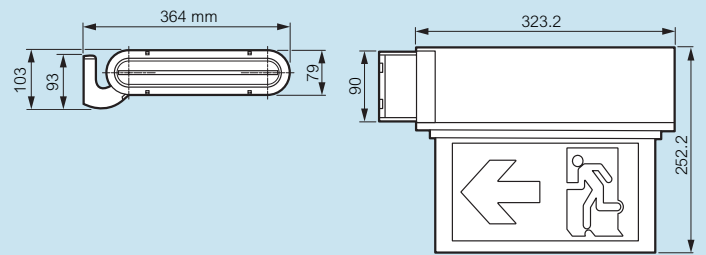
Pack	Cat.Nos	Pictogram plates
Polycarbonate plates directly moulded with the pictogram; (In-Mold technology) ensuring improved luminous performances and protection against scratches Complying with ISO 3864-1 and ISO 7010 standards		
<b>For emergency lighting</b>		
1	625 82	Exit to left or right
1	625 83	Exit below
1	625 88	Exit
<b>For fire-fighting equipment</b>		
1	625 86	Extinguisher
1	625 87	Fire hose point

Overall dimensions

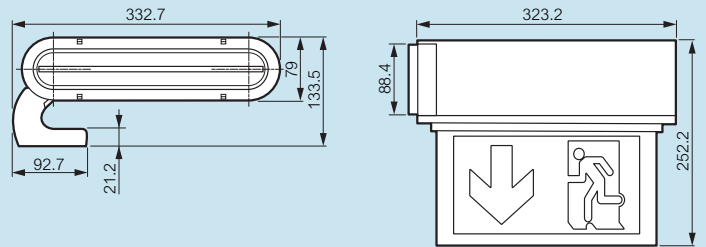
Standard flush-mounting



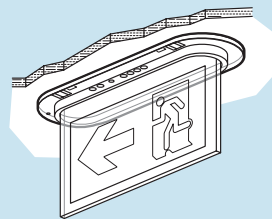
Wall mounting with fixing kit  
• Flag mounting



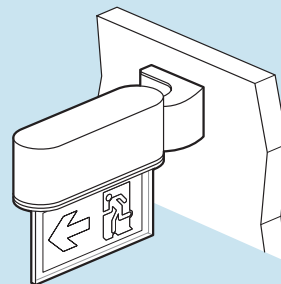
• Wall mounting



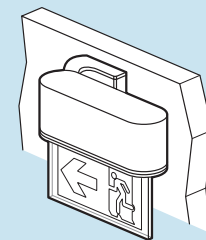
Flush-mounting



Flag mounting



Wall strip mounting



**G5**  
self-contained emergency lighting luminaires



617 62



617 71



617 47 + 617 91 + 6608 65

Pack	Cat.Nos	Non-maintained luminaires
		<p>Slim luminaires                      Certified to IEC 60598-2-22 and EN 60598-2-22 standards                      Power supply: 230 V +/- 10% - 50/60 Hz                      IP 42 - IK 07 class II                      ▽ Suitable for mounting on inflammable surfaces                      Ni-Cd batteries, high temperature type                      Recharge time: 24 hours                      High capacity screw terminals: 2 x 2.5 mm<sup>2</sup> (mains)                      Rest mode with Legrand remote control unit (Cat.No 039 01)                      Charge monitor: 2 high luminosity amber LEDs or 1 green LED                      Autotest and addressable luminaires incorporate an automatic self-testing system:                      - weekly test: emergency operation and lamp check                      - quarterly test: emergency operation and duration check                      - green (OK) and yellow (defect) LEDs display the result of the tests                      These autotest luminaires can operate as addressable luminaires by setting an address on internal microswitches and wiring a complementary bus line                      The operating state of the luminaires is controlled by the central control panel (Cat.No 625 15) and can be monitored on the building's plan with Legrand Vision System (L.V.S.) software</p>
		<p><b>8 W luminaires with 2 high luminosity amber LEDs</b></p>
1	617 30	- 1 h - 90 lm
1	617 31	617 60 1 h - 210 lm
1	617 33	617 62 1 h - 345 lm
1	617 32	617 61 3 h - 155 lm
		<p><b>11 W luminaires with 2 high luminosity amber LEDs</b></p>
1	617 34	617 63 1 h - 500 lm
		<p><b>8 W luminaires with a green LED</b></p>
1	617 41	617 70 1 h - 210 lm
1	617 42	617 71 3 h - 155 lm
1	-	617 72 1 h - 345 lm
		<p><b>11 W luminaires with a green LED</b></p>
1	617 44	617 73 1 h - 500 lm

Pack	Cat.Nos	Combined luminaires												
		<p>Possibility to turn on and off the maintained tube with an external switch (see the technical leaflet)</p>												
		<p><b>8 W luminaires with a green LED</b></p>												
		<table border="1"> <thead> <tr> <th>Standard</th> <th>Auto-test Addressable</th> <th></th> </tr> </thead> <tbody> <tr> <td>1</td> <td>617 36</td> <td>617 64 1 h - 200 lm</td> </tr> <tr> <td>1</td> <td>617 38</td> <td>617 66 1 h - 310 lm</td> </tr> <tr> <td>1</td> <td>617 37</td> <td>617 65 3 h - 120 lm</td> </tr> </tbody> </table>	Standard	Auto-test Addressable		1	617 36	617 64 1 h - 200 lm	1	617 38	617 66 1 h - 310 lm	1	617 37	617 65 3 h - 120 lm
Standard	Auto-test Addressable													
1	617 36	617 64 1 h - 200 lm												
1	617 38	617 66 1 h - 310 lm												
1	617 37	617 65 3 h - 120 lm												
		<p><b>8 W double-sided luminaires for suspension or flag mounting</b></p>												
1	617 46	617 74 1 h - 235 lm												
1	617 47	617 75 3 h - 145 lm												
1		617 76 3 h - 345 lm												
		<p><b>Suspension kit</b>                      To install the luminaires                      Cat.Nos 617 46/47/74/75/76 at 40 cm from the ceiling                      Chromed colour and metallic accessory</p>												
		<p><b>Flag kit</b>                      To install the luminaires                      Cat.Nos 617 46/47/74/75/76 in flag mounting position                      Chromed colour and metallic accessory</p>												

## G5 self-contained emergency lighting luminaires



617 30 + 617 82 + 6608 67



617 46 + 617 92 + 6608 75

Pack	Cat.Nos	Accessories
1	617 82	<b>Double-sided diffuser</b> To replace the one delivered with the luminaire
		<b>Semi-flush mounting frame</b> To install the luminaire in wall or false ceiling, depth: 52 mm
1	617 83	White
1	617 84	Steel
1	617 85	Aluminium
1	617 86	Bronze
		<b>Flush-mounting frame</b> To install the luminaire in wall or false ceiling, depth: 64 mm
1	617 87	White
1	617 88	Steel
1	617 89	Aluminium
1	617 90	Bronze

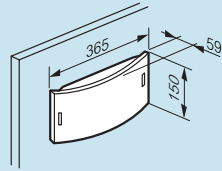
Pack	Cat.Nos	Labels
		Dim.: 310 x 112 mm
5	6608 65	
5	6608 66	
5	6608 67	
5	6608 68	
200	6608 64	
5	6608 69	
5	6608 74	
5	6608 75	
5	6608 76	
Other signs, please consult us		

G5

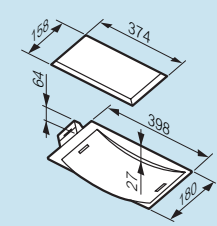
self-contained emergency lighting luminaires

■ Dimensions (in mm)

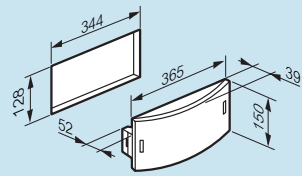
Surface mounting



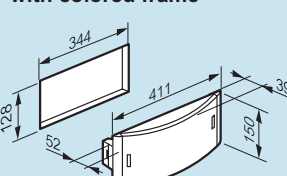
Flush-mounting



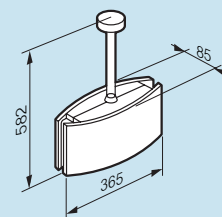
Semi flush-mounting



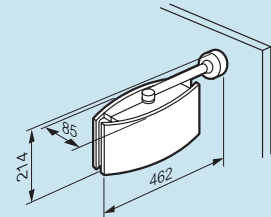
Semi flush-mounting with colored frame



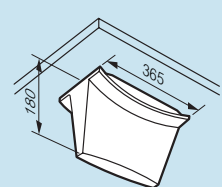
Suspension mounting



Flag mounting



Double-sided mounting



■ Lamps and batteries

Cat.Nos	Emergency lamps	Batteries
617 30	609 41	618 92
617 31/60	609 41	618 84
617 32/61	609 41	617 99
617 33/62	609 41	618 86
617 34/63	607 53	617 99
617 36/64	609 41	618 84
617 37/65	609 41	617 99
617 38/66	609 41	618 86
617 41/70	609 41	618 84
617 42/71	609 41	617 99
617 44/72/73	607 53	617 99
617 46/74	609 41	618 84
617 47/75	609 41	617 99
617 76	609 41	618 86

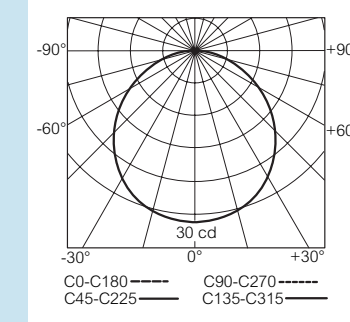
■ Optical data

Luminaire spacing, in metres, to provide 1 lux minimum illuminance

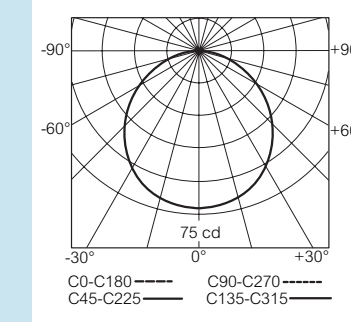
Celling mounting height (m)	Lighting level directly under luminaire (lux)	Axial to wall D (m)	Axial spacing D (m)	Transverse spacing D (m)	Transverse to wall D (m)
<b>617 30</b>					
2.5	5.0	2.7	7.0	7.0	2.7
3.0	3.5	2.7	7.4	7.4	2.7
4.0	2.0	2.0	7.6	7.6	2.5
5.0	1.3	1.7	7.4	7.4	1.7
<b>617 31/41/60/70</b>					
2.5	11.6	3.7	9.2	9.2	3.7
3.0	8.0	3.9	10.0	10.0	3.9
4.0	4.5	4.1	10.8	10.8	4.1
5.0	2.9	4.1	10.3	10.3	4.1
6.0	2.0	3.8	11.6	11.6	3.8
<b>617 32/42/61/71</b>					
2.5	8.9	3.4	8.6	8.6	3.4
3.0	6.2	3.5	9.0	9.0	3.5
4.0	3.5	3.6	9.8	9.8	3.6
5.0	2.2	3.4	10.2	10.2	3.4
6.0	1.5	2.8	10.2	10.2	2.8
<b>617 33/62/72</b>					
2.5	19.1	4.4	10.6	10.6	4.4
3.0	13.3	4.7	11.6	11.6	4.7
4.0	7.5	5.0	12.8	12.8	5.0
5.0	4.8	5.2	13.8	13.8	5.2
6.0	3.3	5.2	14.4	14.4	5.2
<b>617 34/44/63/73</b>					
2.5	29.0	4.9	12.0	12.0	4.9
3.0	20.0	5.3	13.0	13.0	5.3
4.0	11.3	5.9	14.6	14.6	5.9
5.0	7.3	6.2	16.0	16.0	6.2
6.0	5.0	6.4	16.8	16.8	6.4
<b>617 36/64</b>					
2.5	11.2	3.6	9.2	9.2	3.6
3.0	7.8	3.8	9.8	9.8	3.8
4.0	4.4	4.0	10.6	10.6	4.0
5.0	2.8	4.0	11.2	11.2	4.0
6.0	2.0	3.6	11.4	11.4	3.6
<b>617 37/65</b>					
2.5	7.8	3.2	8.2	8.2	3.2
3.0	5.5	3.3	8.6	8.6	3.3
4.0	3.0	3.3	9.4	9.4	3.3
5.0	2.0	3.0	9.5	9.5	3.0
6.0	1.3	2.4	9.4	9.4	2.4
<b>617 38/66</b>					
2.5	17.4	4.3	10.4	10.4	4.3
3.0	12.1	4.5	11.2	11.2	4.5
4.0	6.8	4.9	12.4	12.4	4.9
5.0	4.3	5.0	13.4	13.4	5.0
6.0	3.0	5.0	14.0	14.0	5.0
<b>617 46/74</b>					
2.5	6.2	3.0	7.6	7.6	3.0
3.0	4.3	3.0	8.0	8.2	3.0
4.0	2.4	2.9	8.4	8.6	3.0
5.0	1.5	2.4	8.4	8.6	2.5
6.0	1.0	1.2	8.0	8.2	1.3
<b>617 47/75</b>					
2.5	3.9	2.4	6.4	6.6	2.5
3.0	2.7	2.3	6.6	6.8	2.4
4.0	1.5	1.9	6.8	6.8	2.0
5.0	1.0	-	6.2	6.4	-
<b>617 76: consult us</b>					

■ Distribution of luminous intensity in cd/1 000 lm

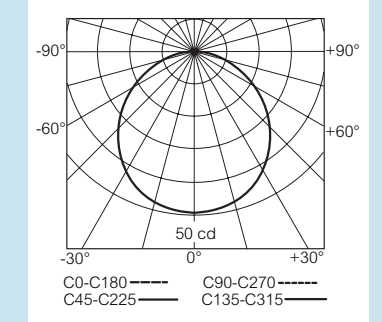
Cat.No 617 30



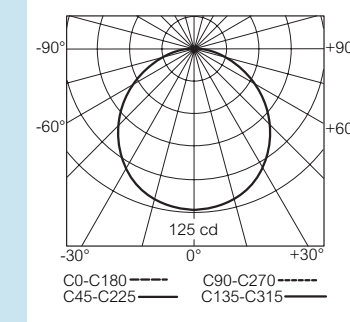
Cat.Nos 617 31/41/60/70



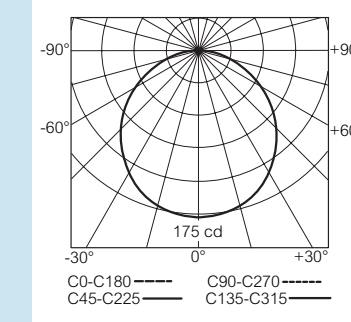
Cat.Nos 617 32/42/61/71



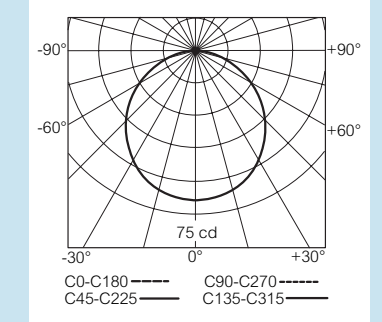
Cat.Nos 617 33/62/72



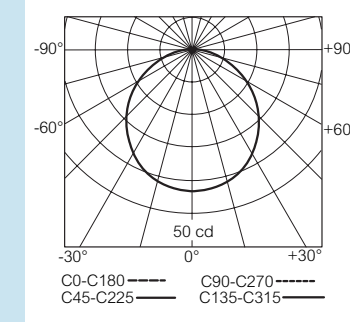
Cat.Nos 617 34/44/63/73



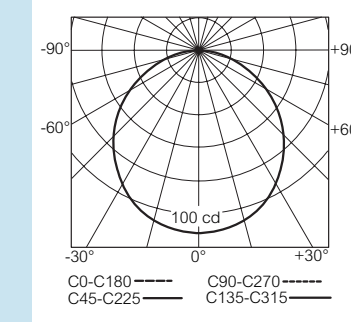
Cat.Nos 617 36/64



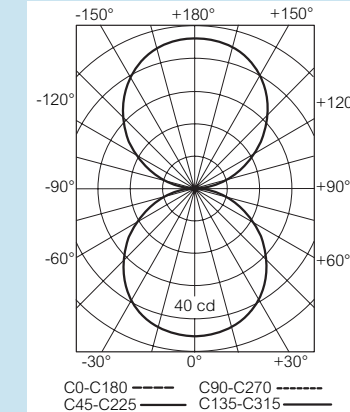
Cat.Nos 617 37/65



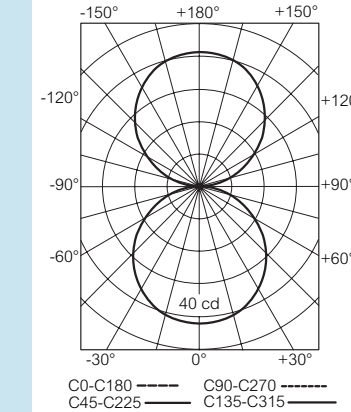
Cat.Nos 617 38/66



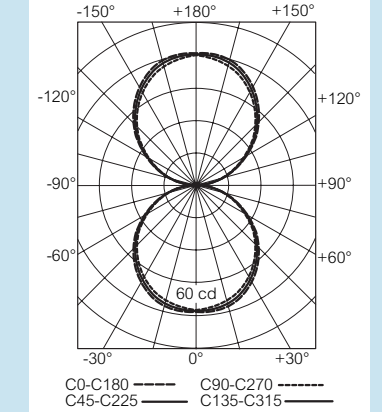
Cat.Nos 617 46/74



Cat.Nos 617 47/75

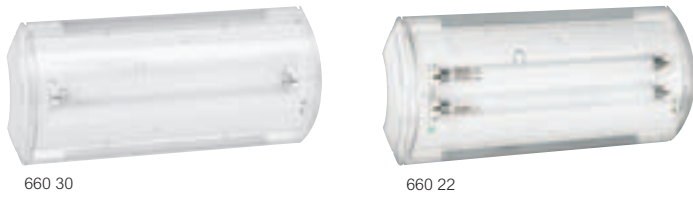


Cat.No 617 76





**Strio 2**  
self-contained emergency lighting luminaires



660 24

Pack	Cat.Nos	8 W non-maintained, maintained and combined luminaires
		<p>Certified to IEC 60598-2-22 and EN 60598-2-22 standards  </p> <p>Power supply: 230 V +/- 10% - 50-60 Hz</p> <p>IP 41 - Class II</p> <p>Plug-in base plate to ease installation and maintenance</p> <p>Lamp and emergency operation with a push-button</p> <p>▽ Suitable for mounting on inflammable surface</p> <p>Ni-Cd batteries, high temperature type</p> <p>Recharge time: 24 hours</p> <p>High capacity screw terminals: 2 x 2.5 mm<sup>2</sup></p> <p>Rest mode with Legrand remote control unit (Cat.No 039 01)</p> <p>Charge monitor with a green LED</p> <p>Autotest and adressable luminaires incorporate an automatic self-testing system:</p> <ul style="list-style-type: none"> <li>- weekly test: emergency operation and lamp check</li> <li>- quarterly test: emergency operation and duration check</li> <li>- green (OK) and yellow (defect) LEDs display the result of the tests</li> </ul> <p>These autotest luminaires can operate as addressable luminaires by setting an address on internal microswitches and wiring a complementary bus line</p> <p>The operating state of the luminaires is controlled by the central control panel (Cat.No 625 15) and can be monitored on the building's plan with Legrand Vision System (L.V.S.) software</p>
		<b>1 h duration</b>
1	660 20	660 30 Non-maintained 200 lm
1	660 21	660 31 Maintained 170 lm
1	660 22	660 32 Combined 200 lm
		<b>3 h duration</b>
1	660 23	660 33 Non-maintained 130 lm
1	660 24	660 34 Maintained 140 lm
1	660 25	660 35 Combined 130 lm

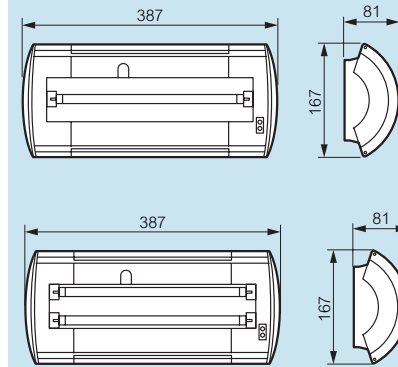
Accessories		
1	660 91	Flush-mounting frame
1	660 93	Double-sided diffuser
1	609 06	Grid

Labels (see p. 895)

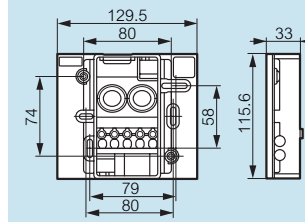
**Strio 2**  
self-contained emergency lighting luminaires

■ Dimensions (in mm)

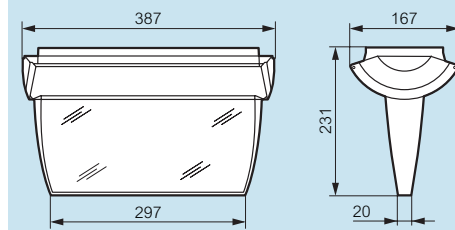
Surface mounting



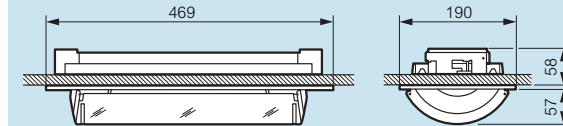
Plug-in base plate



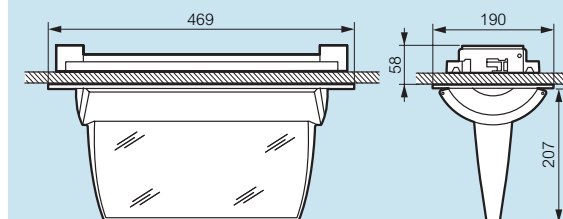
Ceiling mounting with double-sided diffuser



Flush-mounting



Flush-mounting with double-sided diffuser



■ Optical data

Luminaire spacing, in metres, to provide 1 lux minimum illuminance

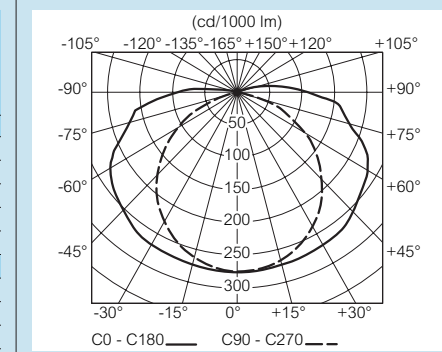
Ceiling mounting height (m)	Lighting level directly under luminaire (lux)	Axial to wall	Axial spacing	Transverse spacing	Transverse to wall
<b>660 20/30</b>					
2.5	7.5	3.2	8.2	10.4	3.95
3	5.2	3.3	8.8	10.8	4
4	2.9	3.3	9.4	11.3	3.9
5	1.9	3	9.6	11.4	3.5
6	1.3	2.25	9.4	10.8	2.55
<b>660 21/31</b>					
2.5	6.5	3.1	7.8	9.8	3.7
3	4.5	3.15	8.4	10.2	3.75
4	2.6	3.1	8.8	10.6	3.6
5	1.6	2.6	8.8	10.4	3
6	1.1	1.6	8.4	10	1.7
<b>660 22/32</b>					
2.5	7.9	3.1/3.3	7.8/8.4	9.4/10.8	3.7/4.2
3	5.5	3.3/3.4	8.4/9	10/11.4	3.8/4.3
4	3.1	3.3/3.5	9/9.6	10.8/12.2	3.8/4.3
5	2.0	3/3.2	9.4/10	10.8/12.2	3.4/3.9
6	1.4	2.4/2.5	9.2/9.8	10.4/11.8	2.6/3.1
<b>660 23/33/24/34</b>					
2.5	5.0	2.7	7.2	9	3.3
3	3.7	2.8	7.6	9.2	3.2
4	2.0	2.6	7.8	9.2	2.9
5	1.3	1.8	7.6	9	2
6	0.9	/	6.8	8	/
<b>660 25/35</b>					
2.5	5.4	2.7/2.8	7/7.4	8.2/9.4	3.1/3.5
3	3.7	2.7/2.9	7.4/7.8	8.6/9.8	3.1/3.5
4	2.1	2.5/2.7	7.6/8.2	8.8/10	2.8/3.3
5	1.3	1.9/2	7.4/8	8.6/9.8	2/2.5
6	0.9	/	6.8/7.2	7.8/8.8	/

■ Lamps and batteries

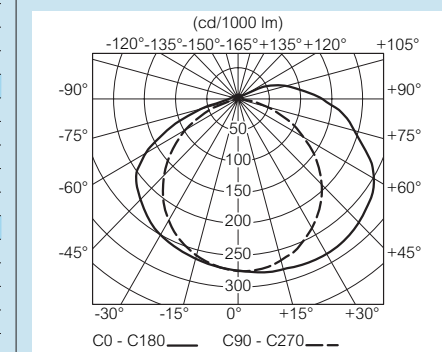
Cat.Nos	Emergency lamps	Batteries
660 20/30	609 41	660 98
660 21/31	609 41	660 98
660 22/32	609 41	660 98
660 23/33	609 41	660 99
660 24/34	609 41	660 99
660 25/35	609 41	660 99

■ Distribution of luminous intensity in cd/1000 lm

Cat.Nos 660 20/21/23/24/30/31/33/34



Cat.Nos 660 22/25/32/35



**S8**  
self-contained emergency lighting luminaires



660 00



660 01 + 6608 66



660 03 + 660 90



660 01 + 660 90 + 660 92 + 610 01

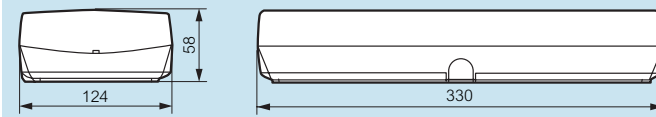
Pack	Cat.Nos	8 W non-maintained, maintained and combined luminaires
		Certified to IEC 60598-2-22 and EN 60598-2-22 standards Power supply: 230 V +/- 10 % - 50/60 Hz IP 42 - Class II Lamp and emergency operation test with a push-button ✓ Suitable for mounting on inflammable surfaces Ni-Cd batteries, high temperature type Recharge time: 24 hours High capacity screw terminals: 2 x 2.5 mm <sup>2</sup> Charge monitor with a green LED
		<b>1 h duration - 140 lm</b>
1	660 00	Non-maintained
1	660 01	Maintained
1	660 02	Combined
		<b>3 h duration - 110 lm</b>
1	660 03	Non-maintained
1	660 04	Maintained
1	660 05	Combined
		<b>Accessories</b>
1	660 90	Flush-mounting frame
1	660 92	Double-sided diffuser

Labels (see p. 895)

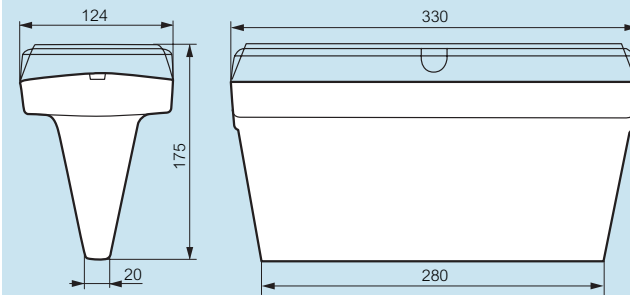
**S8**  
self-contained emergency lighting luminaires

■ Dimensions (in mm)

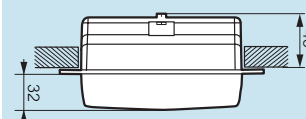
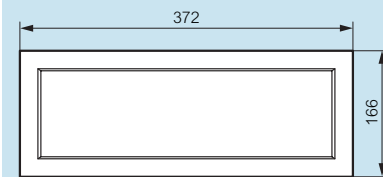
Surface mounting



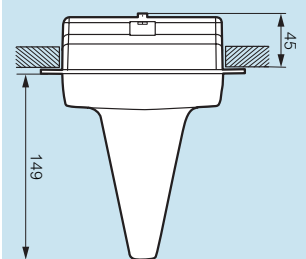
Ceiling mounting with double-sided diffuser



Flush-mounting



With double-sided diffuser



■ Lamps and batteries

Cat.Nos	Emergency lamps	Batteries
660 00/01/02	609 41	618 83
660 03/04/05	609 41	618 85

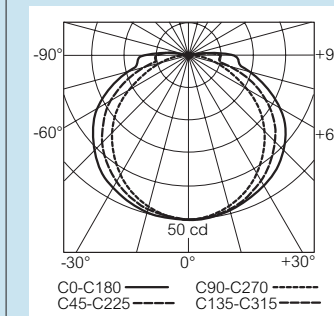
■ Optical data

Luminaire spacing, in metres, to provide 1 lux minimum illuminance

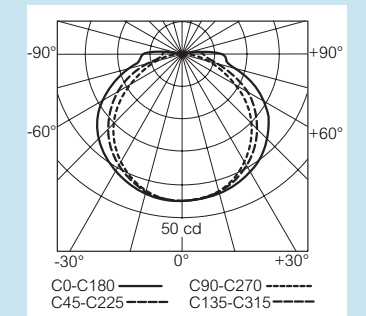
Ceiling mounting height (m)	Lighting level directly under luminaire (lux)	Axial to wall D (m)	Axial spacing D (m)	Transverse spacing D (m)	Transverse to wall D (m)
<b>660 00</b>					
2.5	6.2	3	3.8	4.3	3.3
3	4.3	3	4	4.5	3.4
3.5	3.2	3	4.2	4.7	3.3
4	2.4	2.9	4.3	4.8	3.2
4.5	1.9	2.7	4.3	4.8	3.2
5	1.5	2.5	4.3	4.7	2.7
5.5	1.3	2	4.2	4.6	2.2
6	1.1	1.2	4	4.4	1.3
<b>660 01</b>					
2.5	6.2	3	3.8	4.3	3.3
3	4.3	3	4	4.5	3.4
3.5	3.2	3	4.2	4.7	3.3
4	2.4	2.9	4.3	4.8	3.2
4.5	1.9	2.7	4.3	4.8	3
5	1.5	2.5	4.3	4.7	2.7
5.5	1.3	2	4.2	4.6	2.2
6	1.1	1.2	4	4.4	1.3
<b>660 02</b>					
2.5	6.7	3	3.8	4/4.5	3.2/3.5
3	4.6	3.1	4.1	4.3/4.7	3.3/3.6
3.5	3.4	3.1	4.2	4.4/4.9	3.3/3.5
4	2.6	3	4.4	4.6/5	3.2/3.4
4.5	2	2.9	4.4	4.7/5.1	3.1/3.3
5	1.7	2.6	4.4	4.7/5	2.8/2.9
5.5	1.4	2.3	4.3	4.6/4.9	2.4/2.5
6	1.1	1.6	4.2	4.5/4.8	1.8/1
<b>660 03</b>					
2.5	4.9	2.7	3.5	4	3
3	3.4	2.7	3.7	4.2	3
3.5	2.5	2.6	3.8	4.2	2.9
4	1.9	2.4	3.8	4.2	2.7
4.5	1.5	2.1	3.8	4.2	2.3
5	1.2	1.6	3.7	4.1	1.7
5.5	1	0.5	3.5	3.8	0.5
<b>660 04</b>					
2.5	4.9	2.7	3.5	3.9	3
3	3.4	2.7	3.7	4.1	3
3.5	2.5	2.6	3.7	4.2	2.9
4	1.9	2.4	3.8	4.2	2.6
4.5	1.5	2.1	3.7	4.2	2.3
5	1.2	1.6	3.6	4	1.7
5.5	1	0.3	3.5	3.8	0.4
<b>660 05</b>					
2.5	5.2	2.7	3.5	3.7/4.1	2.9/3.1
3	3.6	2.7	3.7	3.9/4.4	2.9/3.2
3.5	2.7	2.7	3.8	4.1/4.5	2.9/3
4	2	2.5	3.9	4.2/4.5	2.7/2.9
4.5	1.6	2.3	3.9	4.1/4.5	2.5/2.6
5	1.3	1.8	3.8	4.1/4.3	2/2.1
5.5	1.1	1.1	3.7	3.9/4.1	1.1/1.2

■ Distribution of luminous intensity in cd/1 000 lm

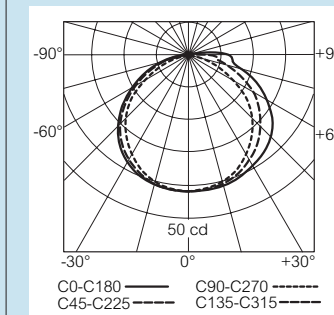
Cat.No 660 00



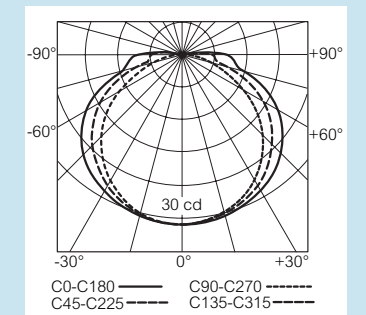
Cat.No 660 01



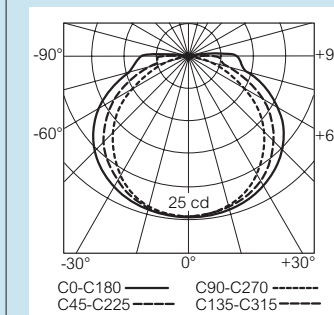
Cat.No 660 02



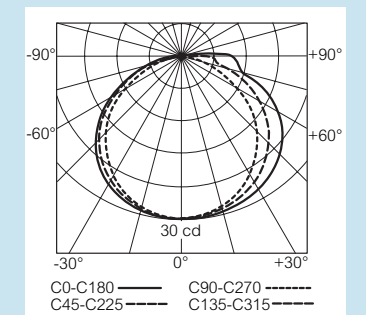
Cat.No 660 03



Cat.No 660 04



Cat.No 660 05





**NEW**

**L31 environmental friendly**  
self-contained emergency lighting luminaires

# Versatility and Design

The only emergency lighting range that can come in 3 shapes



- > Innovation design that breaks with the current ones
- > Low consumption, reduction of 50 % of direct energy
- > Easy to connect, to install and to maintain



6610 02

Pack	Cat. Nos		<p><b>6 W non-maintained environmental friendly extra slim luminaires</b></p> <p>Low depth: 43 mm                      Certified to IEC 60598-2-22 and EN 60598-2-22 standards                       Power supply: 230 V +/- 10% - 50/60 Hz                      Low consumption with switching power supply incorporated                      IP 42 - IK 07 Class II                      ▽ Suitable for mounting on inflammable surfaces                      Ni-MH environment friendly batteries, high temperature type                      Recharge time: 24 hours                      Screw terminals capacity: 2 x 1.5 mm<sup>2</sup>                      Rest mode with Legrand remote control unit (Cat.No 039 01)                      Charge monitor with a green LED                      Autotest and addressable products incorporate an automatic self-testing system                      - weekly test: emergency operation and lamp check                      - quarterly test: emergency operation and duration check                      - green (OK) and yellow (defect) LEDs display the result of the tests                      These autotest luminaires can operate as addressable luminaires by setting an address on internal microswitches and wiring a complementary bus line                      The operating state of the luminaires is controlled by the central control panel (Cat.No 625 15) and can be monitored on the building's plan with Legrand Vision System (L.V.S.) software</p>
	Standard	Autotest Addressable	
1	6610 02		1 h - 100 lm (1 x 6 W)
1	6610 05	6610 21	1 h - 250 lm (2 x 6 W)
1	6610 06	6610 22	2 h - 160 lm (1 x 6 W)
1	6610 07		1 h - 315 lm (2 x 6 W)



**NEW**

# L31

## self-contained emergency lighting luminaires



6610 00



6610 08 + 6610 40



6610 00 + 6610 43



6610 40



6610 41

Pack	Cat.Nos	6 W extra slim luminaires																																				
		<p>Low depth: 43 mm            Certified to IEC 60598-2-22 and EN 60598-2-22 standards </p> <p>Low consumption with switching power supply incorporated            IP 42 - IK 07 Class II</p> <p> Suitable for mounting on inflammable surfaces</p> <p>Ni-Cd batteries, high temperature type            Recharge time: 24 hours            Screw terminals capacity: 1 x 1.5 mm<sup>2</sup>            Rest mode with Legrand remote control unit (Cat.No 039 01)            Charge monitor with a green LED            Autotest and addressable products incorporate an automatic self-testing system</p> <ul style="list-style-type: none"> <li>- weekly test: emergency operation and lamp check</li> <li>- quarterly test: emergency operation and duration check</li> <li>- green (OK) and yellow (defect) LEDs display the result of the tests</li> </ul> <p>These autotest luminaires can operate as addressable luminaires by setting an address on internal microswitches and wiring a complementary bus line</p> <p>The operating state of the luminaires is controlled by the central control panel (Cat.No 625 15) and can be monitored on the building's plan with Legrand Vision System (L.V.S.) software</p> <p><b>Power supply: 230 V +/- 10% - 50/60 Hz</b></p>																																				
		<table border="1"> <thead> <tr> <th>Standard</th> <th>Autotest Addressable</th> <th></th> </tr> </thead> <tbody> <tr> <td></td> <td></td> <td>1 h - 70 lm non-maintained (1 x 6 W)</td> </tr> <tr> <td></td> <td></td> <td>1 h - 100 lm non-maintained (1 x 6 W)</td> </tr> <tr> <td></td> <td></td> <td>1 h - 160 lm non-maintained (1 x 6 W)</td> </tr> <tr> <td></td> <td>6610 20</td> <td>1 h - 200 lm non-maintained (1 x 6 W)</td> </tr> <tr> <td></td> <td></td> <td>1 h - 200 lm combined (2 x 6 W)</td> </tr> <tr> <td></td> <td>6610 23</td> <td>2 h - 110 lm combined (2 x 6 W)</td> </tr> <tr> <td></td> <td></td> <td>3 h - 75 lm non-maintained (1 x 6 W)</td> </tr> <tr> <td colspan="3"><b>Power supply: from 100 - 240 V - 50/60 Hz</b></td> </tr> <tr> <td></td> <td></td> <td>1 h - 100 lm non-maintained (1 x 6 W)</td> </tr> <tr> <td></td> <td>6610 33</td> <td>1 h - 200 lm non-maintained (1 x 6 W)</td> </tr> <tr> <td></td> <td></td> <td>3 h - 75 lm non-maintained (1 x 6 W)</td> </tr> </tbody> </table>	Standard	Autotest Addressable				1 h - 70 lm non-maintained (1 x 6 W)			1 h - 100 lm non-maintained (1 x 6 W)			1 h - 160 lm non-maintained (1 x 6 W)		6610 20	1 h - 200 lm non-maintained (1 x 6 W)			1 h - 200 lm combined (2 x 6 W)		6610 23	2 h - 110 lm combined (2 x 6 W)			3 h - 75 lm non-maintained (1 x 6 W)	<b>Power supply: from 100 - 240 V - 50/60 Hz</b>					1 h - 100 lm non-maintained (1 x 6 W)		6610 33	1 h - 200 lm non-maintained (1 x 6 W)			3 h - 75 lm non-maintained (1 x 6 W)
Standard	Autotest Addressable																																					
		1 h - 70 lm non-maintained (1 x 6 W)																																				
		1 h - 100 lm non-maintained (1 x 6 W)																																				
		1 h - 160 lm non-maintained (1 x 6 W)																																				
	6610 20	1 h - 200 lm non-maintained (1 x 6 W)																																				
		1 h - 200 lm combined (2 x 6 W)																																				
	6610 23	2 h - 110 lm combined (2 x 6 W)																																				
		3 h - 75 lm non-maintained (1 x 6 W)																																				
<b>Power supply: from 100 - 240 V - 50/60 Hz</b>																																						
		1 h - 100 lm non-maintained (1 x 6 W)																																				
	6610 33	1 h - 200 lm non-maintained (1 x 6 W)																																				
		3 h - 75 lm non-maintained (1 x 6 W)																																				

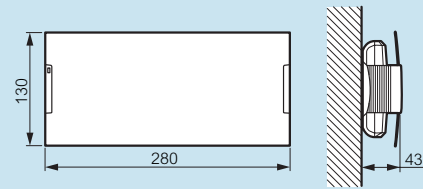
Pack	Cat.Nos	Accessories
10	6610 40	Universal flush-mounting frame for walls and ceilings Include 2 pieces: box + frame
1	6610 42	Flush-mounting frame for mounting over C3 box
1	6610 41	For access with tubes 20 mm
1	6610 43	Pictogramm plate for transformations in a double side unit
1	6610 44	Square diffuser
1	6610 45	Round diffuser
1	6610 46	Round flush-mounting frame
1	6610 47	Square flush-mounting frame

L31

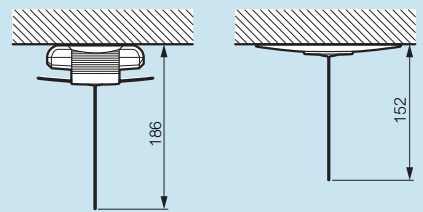
Self-contained emergency lighting luminaires

■ Dimensions (in mm)

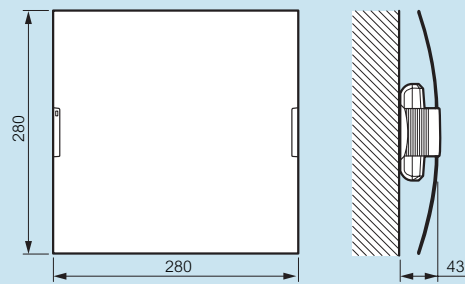
Universal surface mounting



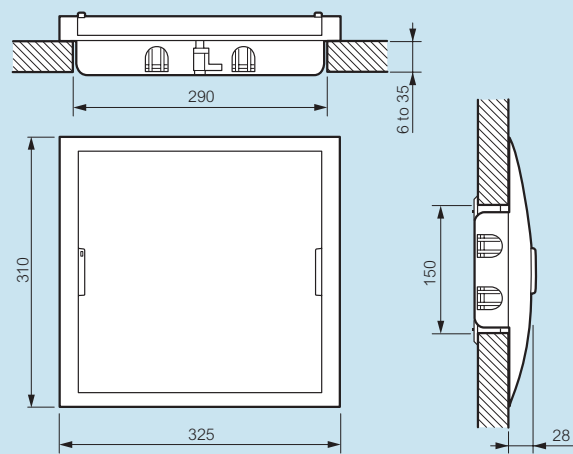
With pictogram plate



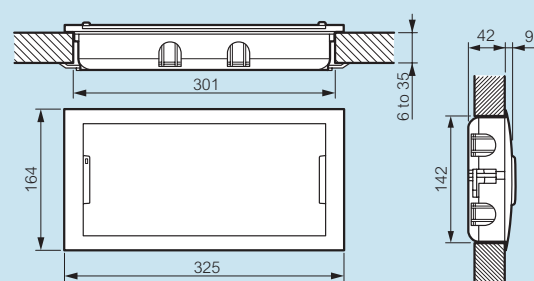
With square diffuser



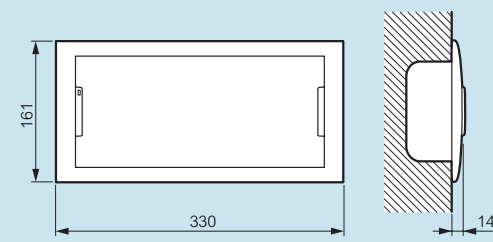
Flush-mounting with square diffuser



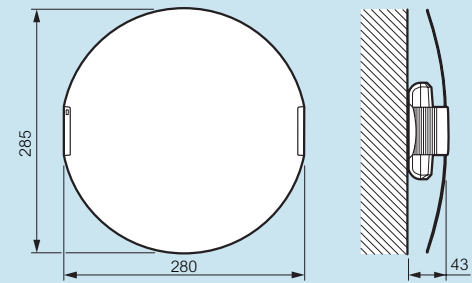
Universal flush-mounting



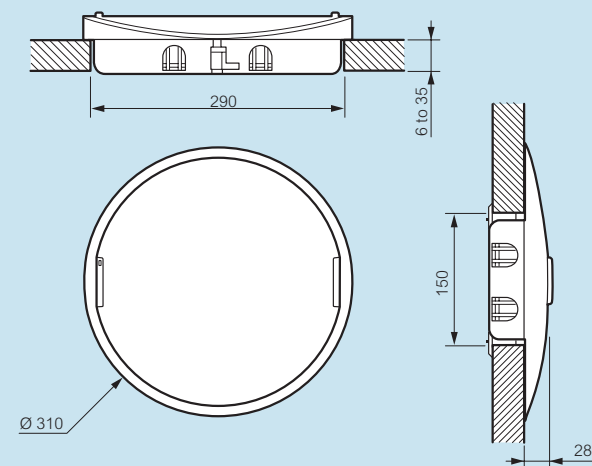
Flush-mounting over C3 box



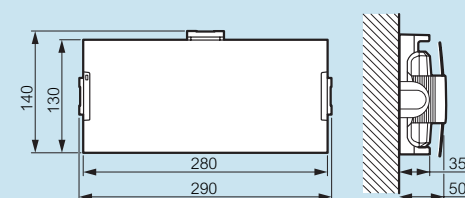
With round diffuser



Flush-mounting with round diffuser



Mounting with tubes 20 mm

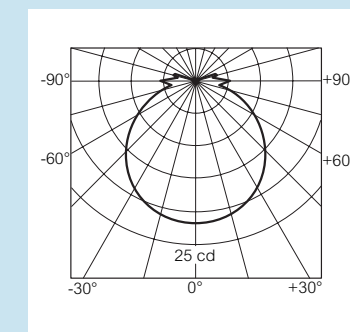


■ Lamps and batteries

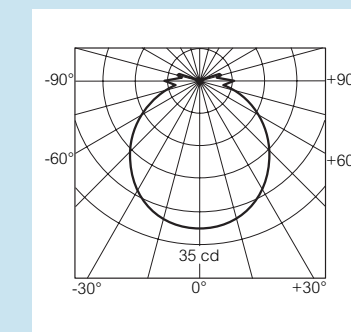
Cat.Nos	Emergency lamps	Batteries
6610 00	607 51	618 92
6610 01/30	607 51	618 83
6610 02	607 51	6608 35
6610 03	607 51	618 84
6610 04/20/31/33	607 51	618 85
6610 05/21	607 51	6608 36
6610 06/22	607 51	6608 37
6610 07	607 51	6608 37
6610 08	607 51	618 85
6610 09/23	607 51	618 85
6610 10/32	607 51	618 85

■ Distribution of luminous intensity in cd/1 000 lm

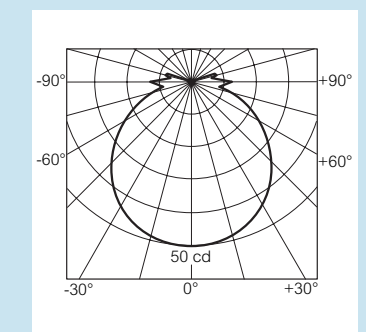
Cat.No 6610 00



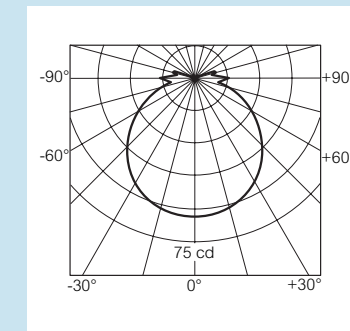
Cat.Nos 6610 01/02/30



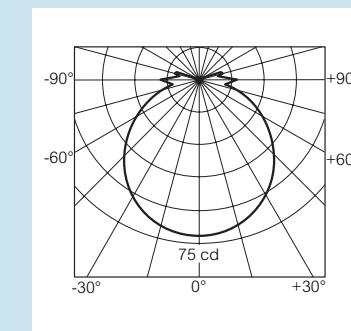
Cat.No 6610 03



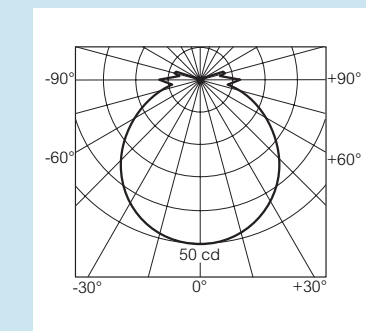
Cat.Nos 6610 04/20/31/33



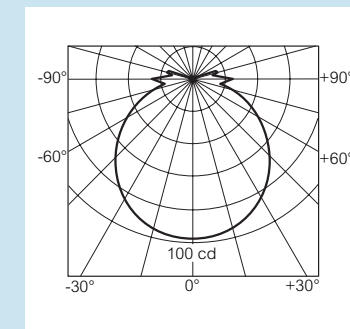
Cat.Nos 6610 05/21



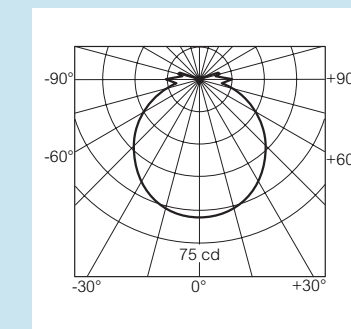
Cat.Nos 6610 06/22



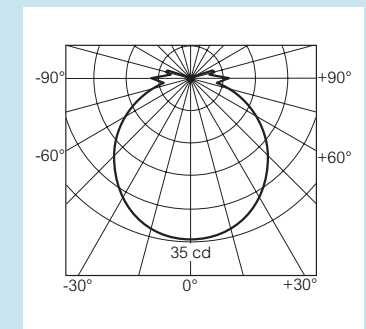
Cat.No 6610 07



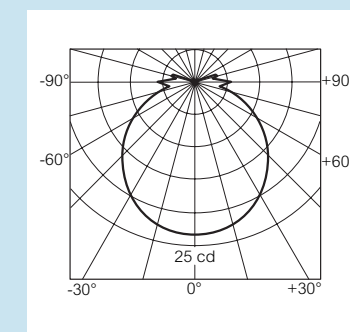
Cat.No 6610 08



Cat.Nos 6610 09/23



Cat.Nos 6610 10/32



# U21

## self-contained emergency lighting luminaires



617 02



617 08 + 617 20



617 02 + 617 20




617 02 + 617 20 + 617 21

Pack	Cat.Nos	6 W luminaires
		Certified to IEC 60598-2-22 and EN 60598-2-22 standards Power supply: 230 V +/- 10% - 50/60 Hz IP 42 - IK 07 Class II ▽Suitable for mounting on inflammable surfaces Ni-Cd batteries, high temperature type Recharge time: 24 hours Screw terminals capacity: 2 x 1.5 mm <sup>2</sup> Rest mode with Legrand remote control unit (Cat.No 039 01) Charge monitor: 2 high luminosity amber LEDs (non maintained units), 1 red LED (Cat.No 617 11) or 1 green LED (combined units)
10	617 10	1 h - 45 lm
1	617 02	1 h - 100 lm
1	617 07	1 h - 300 lm
1	617 11	3 h - 120 lm
		<b>6 W fluorescent-combined</b>
1	617 08	1 h - 85 lm

Pack	Cat.Nos	Accessories
10	617 20	Flush-mounting frame
10	617 21	Box for mounting on walls joint to frame Cat.No 617 20

**Labels** (p. 895)



**For other lumen outputs and for dual voltage**

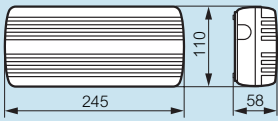
**please consult us**

# U21

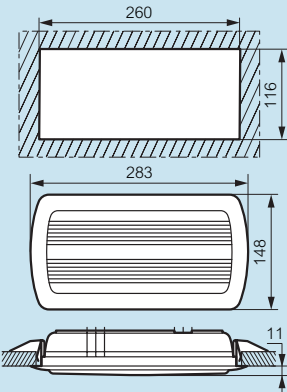
## self-contained emergency lighting luminaires

### ■ Dimensions (in mm)

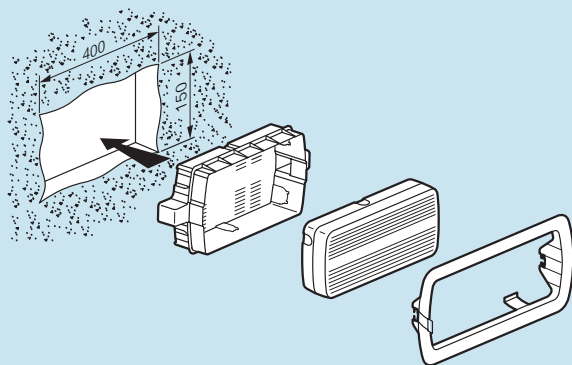
#### Surface mounting



#### Recessed mounting



#### Recessed mounting in walls



### ■ Lamps and batteries

Cat.Nos	Emergency lamps	Batteries
617 10	607 51	617 97
617 02	607 51	618 92
617 07	607 51	618 85
617 11	607 51	618 85
617 08	607 51	618 92

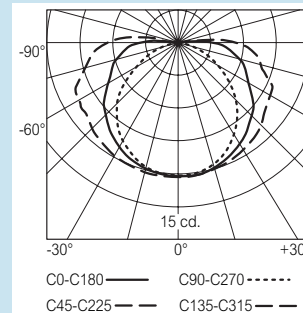
### ■ Optical data

Luminaire spacing, in metres, to provide 1 lux minimum illuminance

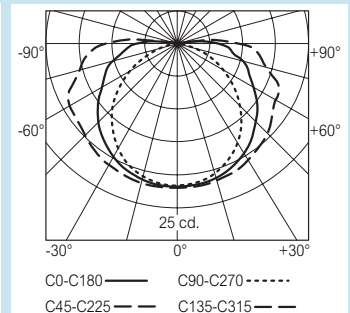
Ceiling mounting height (m)	Lighting level directly under luminaire (lux)	Axial to wall	Axial spacing	Transverse spacing	Transverse to wall
<b>617 10</b>					
2.5	1.68	1.3	2.13	2.57	1.5
3	1.17	0.82	2.06	2.41	0.92
3.5	0.86	-	1.85	2.14	-
4	0.66	-	1.46	1.67	-
4.5	0.52	-	0.46	0.64	-
5	0.42	-	-	-	-
<b>617 02</b>					
2.5	4.9	2.5	6.6	8.1	2.9
3	3.6	2.4	6.8	8.2	2.8
4	2.0	1.9	6.8	8.0	2.2
5	1.2	0.5	6.2	7.2	0.5
<b>617 07</b>					
2.5	12.2	3.6	9.0	12.2	4.7
3	8.4	3.8	10.0	12.9	4.8
4	4.7	4.3	11.6	14.4	5.3
5	2.3	4.3	12.1	14.8	5.1
<b>617 11</b>					
2.5	4.4	2.5	6.8	8.5	3.0
3	3.1	2.5	7.6	8.4	2.9
4	1.7	2.1	7.0	8.4	2.5
5	1.1	1.1	6.7	7.8	1.4
<b>617 08</b>					
2.5	4.9	2.5	6.6	8.1	2.9
3	3.6	2.4	6.8	8.2	2.8
4	2.0	1.9	6.8	8.0	2.2
5	1.2	0.5	6.2	7.2	0.5

### ■ Distribution of luminous intensity in cd/1000 lm

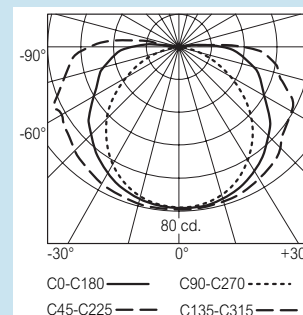
Cat.No 617 10



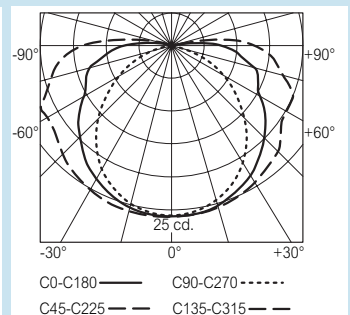
Cat.No 617 02



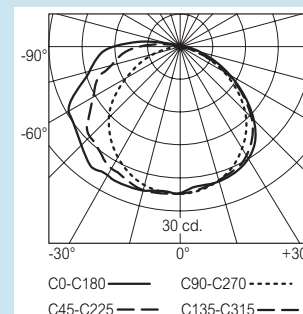
Cat.No 617 07



Cat.No 617 11



Cat.No 617 08



# 5108

self-contained emergency lighting luminaires



6432 50 + 6432 54

Pack	Cat.Nos	8 W maintained exit sign luminaires
1	6432 50	<b>5108 M1 - 1 h duration</b> Certified to IEC 60598-2-22 and EN 60598-2-22 standards, (S) For escape route lighting, single or double sided use IP 20 - Class I Ni-Cd batteries, high temperature type Recharge time: 24 hours Power supply: 230 V +/- 10 % - 50/60 Hz Lumen output: 70 lm (single sided), 100 lm (double sided) Charge monitor: green LED
1	6432 52	<b>5108 M3 - 3 h duration</b> Power supply: 240 V +/- 10 % - 50/60 Hz Lumen output: 30 lm (single sided), 50 lm (double sided) Charge monitor: red LED

Accessories		
10	6432 51	Backplate
		<b>Pictogram plates</b> Dim.: 417 x 167 mm
5	6432 54	
5	6432 55	
5	6432 56	
1	6608 31	Strap for flag mounting
1	609 06	Grid

# 5108

self-contained emergency lighting luminaires

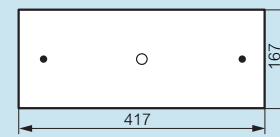
## Dimensions (in mm)

Cat.Nos 6432 50/52



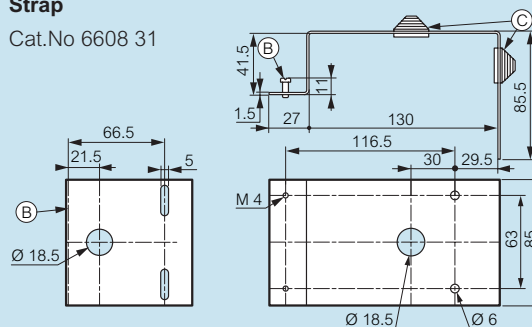
## Backplate

Cat.No 6432 51

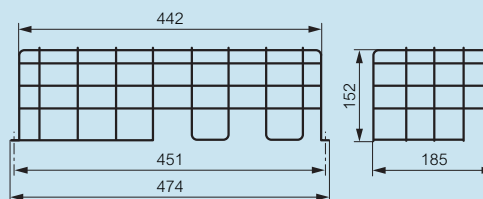


## Strap

Cat.No 6608 31



## Grid Cat.No 609 06



## Optical data

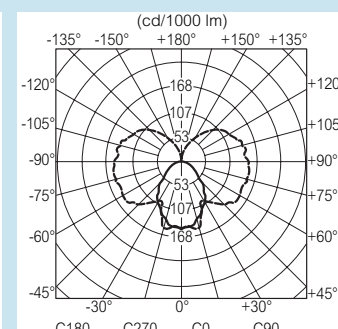
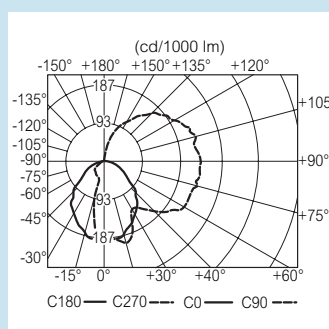
Luminaire spacing, in metres, to provide 1 lux minimum illuminance

Ceiling mounting height (m)	Lighting level directly under luminaire (lux)	Axial to wall	Axial spacing	Transverse spacing	Transverse to wall
<b>6432 50 (70 lm) single sided</b>					
2.5	2	1.5	4.5	7.2	2.2
3	1.4	1.2	4.5	6.9	1.4
3.5	1	0.5	4.3	6.3	1
<b>6432 50 (100 lm) double sided</b>					
2.5	2.2	1.5	4.4	6.3	1.3
3	1.5	1.2	4.5	5.8	1.2
3.5	1.1	0.8	4.2	3.9	/
<b>6432 52 (30 lm) single sided</b>					
2.5	0.8	/	2.5	3.3	/
3	0.6	/	1.8	2.15	/
<b>6432 52 (50 lm) double sided</b>					
2.5	1.1	0.5	3	2.7	0.65
3	0.7	/	2.5	2.2	/

## Distribution of luminous intensity in cd/1000 lm

Cat.Nos 6432 50 (90 lm)  
6432 52 (30 lm)

Cat.Nos 6432 50 (100 lm)  
6432 52 (50 lm)



## Lamp and battery

Cat.Nos	Emergency lamp	Battery
6432 50/52	609 41	6608 86



## B 65 / NT 65 - weatherproof self-contained emergency lighting luminaires



615 61



618 34

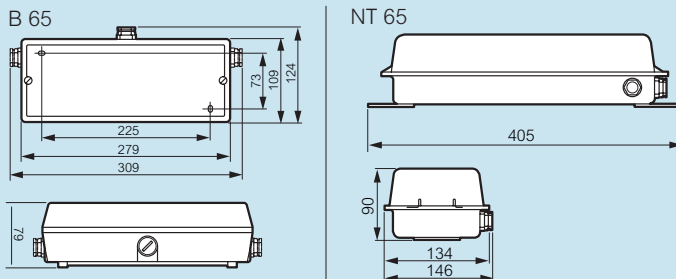
Pack	Cat.Nos	Weatherproof non-maintained and combined luminaires												
		<p>Certified to IEC 60598-2-22 and EN 60598-2-22 standards </p> <p>Power supply: 230 V +/- 10% - 50/60 Hz IP 42 - IK 07</p> <p> Suitable for mounting on inflammable surfaces</p> <p>Ni-Cd batteries, high temperature type Recharge time: 24 hours Screw terminals capacity: 2 x 1.5 mm<sup>2</sup> Rest mode with remote control unit (Cat.No 039 01) Charge monitor with high luminosity amber LEDs</p> <p>Autotest and addressable products incorporate an automatic self-testing system</p> <ul style="list-style-type: none"> <li>- weekly test: emergency operation and lamp check</li> <li>- quarterly test: emergency operation and duration check</li> <li>- green (OK) and yellow (defect) LEDs display the result of the tests</li> </ul> <p>These autotest luminaires can operate as addressable luminaires by setting an address on internal microswitches and wiring a complementary bus line</p> <p>The operating state of the luminaires is controlled by the central control panel (Cat.No 625 15) and can be monitored on the building's plan with Legrand Vision System (LVS) software</p>												
		<p><b>B 65</b> IP 65 - Class II</p> <p>6 W non-maintained - 90 lm 6 W non-maintained - 165 lm 6 W combined - 155 lm</p>												
		<p><b>NT 65</b> IP 65 - Class I</p> <p>Base of light fitting made of stamped sheet</p> <p>8 W combined - 400 lm 11 W non-maintained - 750 lm</p>												
		<table border="1"> <thead> <tr> <th>Standard</th> <th>Auto-test Addressable</th> <th></th> </tr> </thead> <tbody> <tr> <td>6</td> <td>615 61</td> <td>-</td> </tr> <tr> <td>1</td> <td>615 62</td> <td>615 67</td> </tr> <tr> <td>1</td> <td>615 66</td> <td>-</td> </tr> </tbody> </table>	Standard	Auto-test Addressable		6	615 61	-	1	615 62	615 67	1	615 66	-
Standard	Auto-test Addressable													
6	615 61	-												
1	615 62	615 67												
1	615 66	-												

### Lamps and batteries

Cat.Nos	Emergency lamps	Batteries
615 61	607 51	618 92
615 62	607 51	618 83
615 66	607 51	618 83
615 67	607 51	618 83
618 34	609 51	618 86
618 35	607 53	618 89

## B 65 / NT 65 - weatherproof self-contained emergency lighting luminaires

### Dimensions (in mm)



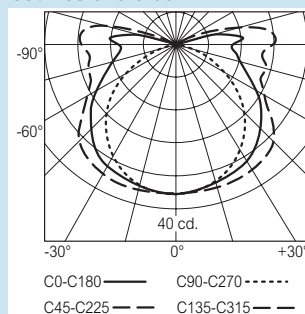
### Optical data

Luminaire spacing, in metres, to provide 1 lux minimum illuminance

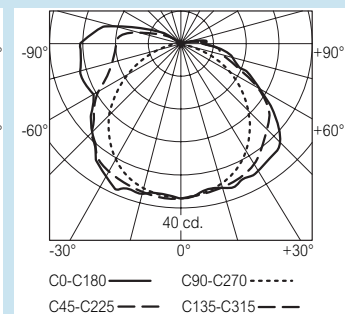
Celling mounting height (m)	Lighting level directly under luminaire (Lux)	Axial to wall	Axial spacing	Transverse spacing	Transverse to wall
<b>615 61 (90 lm)</b>					
2.5	4.8	2.3	6.3	6.7	2.5
3.0	3.4	2.3	6.5	7.0	2.4
4.0	1.9	2.0	6.5	6.9	2.0
5.0	1.2	1.2	6.1	6.3	1.2
<b>615 66 (155 lm)</b>					
2.5	6.0	2.8	3.6	4.3	3.3
3.0	4.2	2.9	3.8	4.4	3.3
4.0	3.3	2.8	4.1	4.8	3.3
5.0	1.5	2.3	4.1	4.9	2.7
6.0	1.0	0.9	3.9	4.6	0.7
<b>618 34 (400 lm)</b>					
2.5	16.7	4.0	5.0	7.3	5.7
3.0	11.6	4.3	5.4	7.7	6.0
4.0	6.5	4.6	5.9	8.3	6.2
5.0	4.2	4.8	6.3	8.6	6.2
6.0	2.9	4.7	6.6	8.7	6.1
<b>615 62/67 (165 lm)</b>					
2.5	5.76	2.8	7.4	8.6	3.3
3.0	4.0	2.9	7.7	9.0	3.4
3.5	2.94	2.9	8.0	9.3	3.4
4.0	2.25	2.7	8.1	9.6	3.3
4.5	1.78	2.5	8.1	9.7	3
5.0	1.44	2.2	8.1	9.6	2.6
5.5	1.19	1.6	7.9	9.5	1.9
6.0	1.0	/	7.5	9	/
<b>618 35 (750 lm)</b>					
2.5	29.66	5.01	12.26	15.04	6.0
3.0	20.61	5.35	13.02	16.04	6.37
3.5	15.13	6.67	14.08	16.96	6.70
4.0	11.58	5.91	14.88	17.72	6.95
4.5	9.15	6.14	15.48	18.28	7.15
5.0	7.41	6.32	16.12	19.00	7.29
5.5	6.13	6.42	16.62	19.66	7.40
6.0	5.15	6.51	17.10	20.10	7.44

### Distribution of luminous intensity in CD / 1000 lm

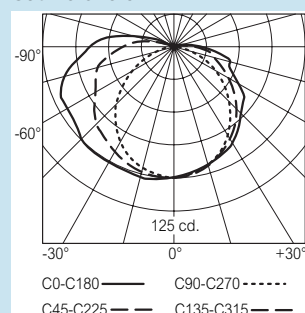
Cat.Nos 615 62/67



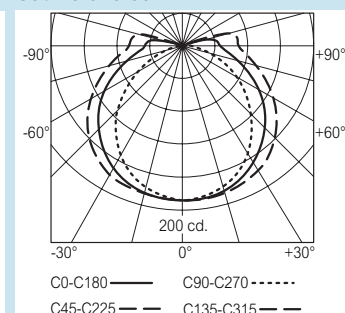
Cat.No 615 66



Cat.No 618 34



Cat.No 618 35



# conversion kits for emergency lighting luminaires



Made up with a slim charger/inverter module and a battery pack designed to fit fluorescent luminaires and convert them to stand-by lighting units in the event of mains failure  
 Compatible with magnetic and most electronic ballasts  
 In the event of a mains failure, the converted luminaires will remain lit up for the rated duration of 1 hour or 3 hours  
 The luminaires will resume normal operation and the battery will be recharged upon return of the mains supply  
 Certified to EN 61347-2-7 standard  
 (Ⓜ) Cat.Nos 618 40/42/46/48, (Ⓢ) other Cat.Nos)  
 The conformity of these modules cannot by itself guarantee the overall conformity of the luminaire they are fitted to or incorporated into  
 The installation and incorporation standards of the subassembly as a component must be strictly respected to ensure the overall conformity of the luminaire  
 The converted luminaire manufacturer is responsible for proving the conformity of the overall installation and for ensuring that the relevant standards are met  
 Able to operate either on non-maintained mode Cat.Nos 618 40/42/46/48 provide a rest mode function using remote control unit Cat.No 0039 01  
 Operating ambient temperature : 10 °C to 40 °C  
 Suitable for incorporation into luminaires with internal temperature up to 50 °C  
 To be installed apart in a remote box above 50 °C  
 Recharge time: 24 h. Green LED charge indicator. High temperature Ni-Cd batteries  
 For conversion kits with environmental friendly Ni-MH batteries, consult us  
 Automatic terminals

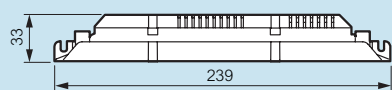
Pack	Cat.Nos	Standard conversion kits	Pack	Cat.Nos	Autotest / L.V.S. (Legrand Vision System) Addressable conversion kits for emergency lighting luminaires
		<b>1 h duration - 230 V - 50/60 Hz</b>			Compatible with all electronic ballasts Automatic self-testing system incorporated: - weekly test: emergency operation and lamp check - quarterly test: emergency operation and duration check - green (OK) and yellow (defect) LEDs and a buzzer to indicate the result of the tests These autotest conversion kits can operate as addressable kits by setting an address on internal microswitches (directly accessible on the top of the kits) and wiring a complementary bus line The operating state of the luminaires is controlled by the central control panel (Cat.No 615 15) and can be monitored on the building's plan with Legrand Vision System (L.V.S.) software Power supply: 230 V +/- 10% - 50/60 Hz
1/10	618 40	For all lamps			
1/10	618 42	For 6 to 36 W lamps			
1/10	618 46	For 6 to 58 W lamps			
		For all lamps except T5 tubes			
1/10	6640 75	For 10 to 18 W lamps			
1/10	6640 76	For 13 to 38 W lamps			
1/10	6640 77	For 26 to 58 W lamps			
		<b>1 h duration - 230 V - 50/60 Hz</b>			
		For T5 lamps (with electronic ballasts only)			
1/5	6640 78	For 14 to 24 W lamps			
1/5	6640 79	For 28 to 54 W lamps			
		<b>3 h duration - 230/240 V - 50/60 Hz</b>			
		For all lamps			
1/5	618 48	For 6 to 58 W lamps	1/5	6640 80	
		For all lamps except T5 tubes	1/5	6640 81	
1/5	6640 70	For 10 to 18 W lamps			
1/5	6640 71	For 13 to 38 W lamps			
1/5	6640 72	For 26 to 58 W lamps			
		For T5 lamps (with electronic ballasts only)			
1/5	6640 73	For 14 to 24 W lamps			
1/5	6640 74	For 28 to 54 W lamps			

# conversion kits for emergency lighting luminaires

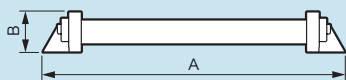
## ■ Dimensions

Cat.Nos 618 40/42/46/48

Module



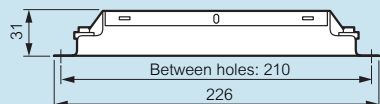
Battery



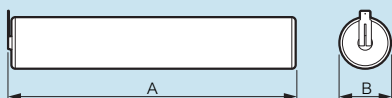
Cat.Nos	A	B	C	D
618 40	242	36	36	-
618 42	227	36	-	72
618 46	227	36	36	-
618 48	227	36	-	72

Cat.Nos 6640 70/71/72

Module



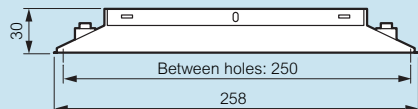
Battery



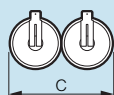
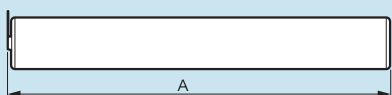
Cat.Nos	A	B	Battery type
6640 70	186.5	33.5	1 Stick 3 VTD
6640 71	248	33.5	1 Stick 4 VTD
6640 72	307	33.5	1 Stick 5 VTD

Cat.Nos 6640 73/74

Module



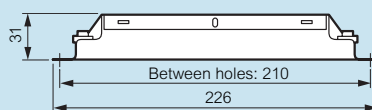
Battery



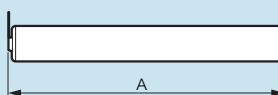
Cat.Nos	A	B	C	Battery type
6640 73	248	33.5	-	1 Stick 4 VTD
6640 74	186.5	-	67	2 x Sticks 3 VTD

Cat.Nos 6640 75/76/77

Module



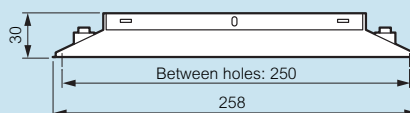
Battery



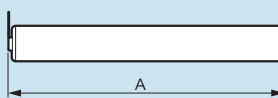
Cat.Nos	A	B	C	Battery type
6640 75	174.5	23.5	-	1 Stick 4 VTCs
6640 76	216.5	23.5	-	1 Stick 5 VTCs
6640 77	132.5 174.5	-	46.5	1 Stick 3 VTCs 1 Stick 4 VTCs

Cat.Nos 6640 78/79

Module



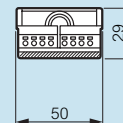
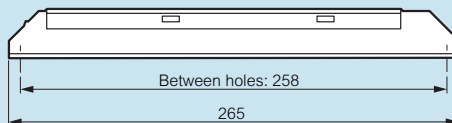
Battery



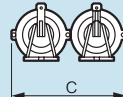
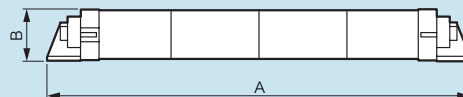
Cat.Nos	A	B	Battery type
6640 78	174.5	46.5	2 Sticks 4 VTCs
6640 79	216.5 254	46.5	1 Stick 5 VTS 1 Stick 6 VTS

Cat.Nos 6640 80/81

Module







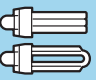


Battery



Cat.Nos	A	B	C	Battery type
6640 80	204	36	81	2 Sticks 4 VTCs
6640 81	288	36	81	2 Sticks 4 VTD

## conversion kits for emergency lighting luminaires (continued)

### ■ Ballast lumen (BLF) selection chart

Lamp	Wattage	BLF (Ballast Lumen Factor)								BLF (Ballast Lumen Factor)							
		618 40	618 42	618 46	618 48	6640 70	6640 71	6640 72	6640 73	6640 74	6640 75	6640 76	6640 77	6640 78	6640 79	6640 80/81	
 T8	18 W	0.35	0.95	0.45	0.32	0.10					0.11					0.34	
	36 W	0.16	0.41	0.18	0.14		0.07					0.06				0.18	
	58 W	-	0.33	0.15	0.11			0.05					0.05			0.10	
 T5	14 W	0.29	0.65	0.48	0.22				0.19						0.33	0.49	
	21 W	0.25	0.56	0.26	0.19				0.18						0.32	0.36	
	24 W	0.24	0.53	0.24	0.18				0.14						0.27	0.29	
	28 W	0.22	0.50	0.22	0.17					0.18					0.28	0.25	
	35 W									0.17 <sup>(4)</sup>					0.23 <sup>(4)</sup>		
	49 W		0.39	0.18	0.13					0.11 <sup>(4)</sup>					0.17 <sup>(4)</sup>		
 PLC	10 W					0.16					0.20					0.63	
	13 W						0.14					0.14				0.44	
	18 W						0.10					0.10				0.41	
	26 W						0.08		0.09			0.07	0.10			0.23	
 PLL	18 W	0.35	0.92	0.44	0.32	0.09					0.11					0.38	
	24 W	0.21	0.53 <sup>(2)</sup>	0.23 <sup>(2)</sup>	0.18		0.08					0.07				0.28	
	36 W	0.18	0.43 <sup>(2)</sup>	0.20 <sup>(1)</sup>	0.14		0.06		0.06			0.05	0.08			0.19	
	40 W	0.18 <sup>(3)</sup>	0.49	0.22	0.16												
	55 W	0.13 <sup>(3)</sup>	0.36	0.16	0.12			0.05						0.05		0.12	
 PLT	18 W						0.10						0.10			0.32	
	26 W						0.08		0.08				0.07	0.10		0.25	
	32 W						0.07		0.08				0.07	0.09		0.19	
	42 W								0.07				0.07	0.07		0.15	
 2D	10 W		0.40 <sup>(1)</sup>	0.88	0.14	0.19						0.07				0.70	
	16 W	0.48 <sup>(1)</sup>	0.90 <sup>(2)</sup>	0.42 <sup>(2)</sup>	0.30		0.12						0.12			0.35	
	21 W	0.40	0.76 <sup>(2)</sup>	0.33 <sup>(2)</sup>	0.25		0.10						0.09			0.35	
	28 W	0.31	0.61 <sup>(2)</sup>	0.28 <sup>(2)</sup>	0.20		0.07		0.08				0.08	0.10		0.24	
	38 W	0.26	0.57	0.20	0.19		0.06		0.06				0.05	0.07		0.18	
	55 W	-	-	-	-				0.04					0.05		0.11	
 C	22 W	0.35	0.76	0.35	0.25												
	32 W	0.24	0.53	0.24	0.18												
	40 W	0.19	0.42 <sup>(1)</sup>	0.19 <sup>(2)</sup>	0.14												

- (1) Autonomy > to 1h30
- (2) Autonomy > to 1h45
- (3) Autonomy > to 45 min
- (4) It's necessary to remove the switch

### ■ Batteries

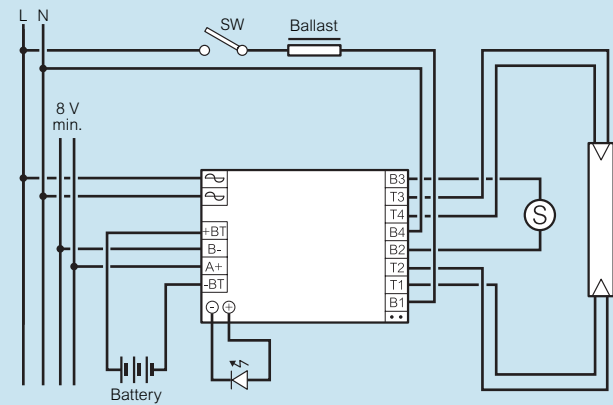
Cat.Nos	Battery type	Battery specification
618 40	Ni-Cd	6.0 V - 1.5 Ah
618 42	Ni-Cd	7.2 V - 4 Ah
618 46	Ni-Cd	3.6 V - 4 Ah
618 48	Ni-Cd	7.2 V - 4 Ah
6640 70	Ni-Cd	3.6 V - 4/4.5 Ah
6640 71	Ni-Cd	4.8 V - 4/4.5 Ah
6640 72	Ni-Cd	6.0 V - 4/4.5 Ah
6640 73	Ni-Cd	4.8 V - 4/4.5 Ah
6640 74	Ni-Cd	7.2 V - 4/4.5 Ah
6640 75	Ni-Cd	4.8 V - 1.5/1.6 Ah
6640 76	Ni-Cd	6.0 V - 1.5/1.6 Ah
6640 77	Ni-Cd	8.4 V - 1.5/1.6 Ah
6640 78	Ni-Cd	9.6 V - 1.5/1.6 Ah
6640 79	Ni-Cd	13.2 V - 1.5/1.6 Ah
6640 80	Ni-Cd	9.6 V - 1.5 Ah
6640 81	Ni-Cd	9.6 V - 4 Ah

**conversion kits**  
for emergency lighting luminaires (continued)

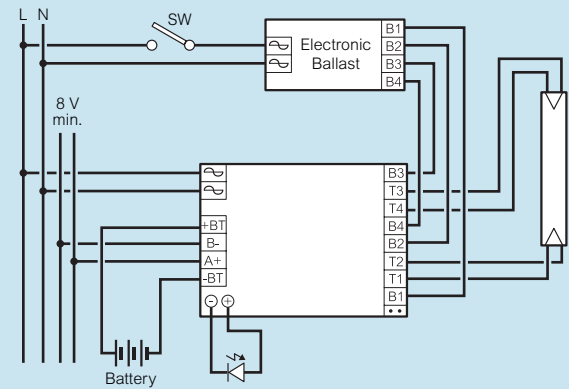
■ Wiring diagrams for conversion in maintained mode

**For Cat.Nos 618 40/42/46/48**

With a conventional ballast and 1 tube

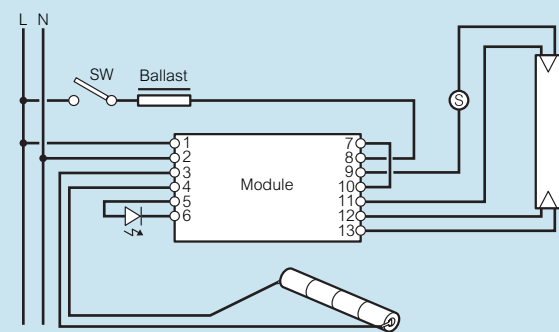


With an electronic ballast and 1 tube



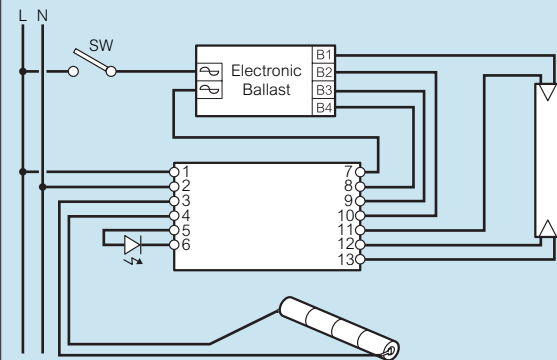
**For Cat.Nos 6640 70/71/72**

With a conventional ballast



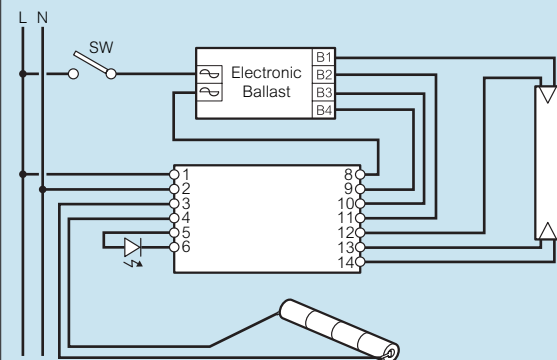
**For Cat.Nos 6640 70/71/72 (continued)**

With an electronic ballast and 1 tube

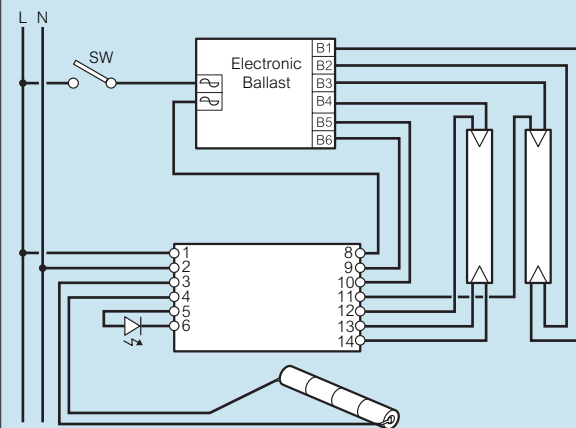


**For Cat.Nos 6640 73/74**

With an electronic ballast and 1 tube



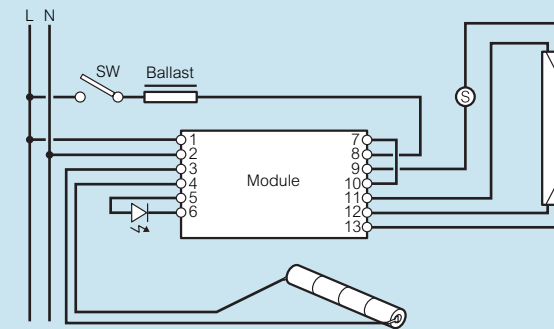
With an electronic ballast, 6 terminals and 2 tubes



■ Wiring diagrams for conversion in maintained mode (continued)

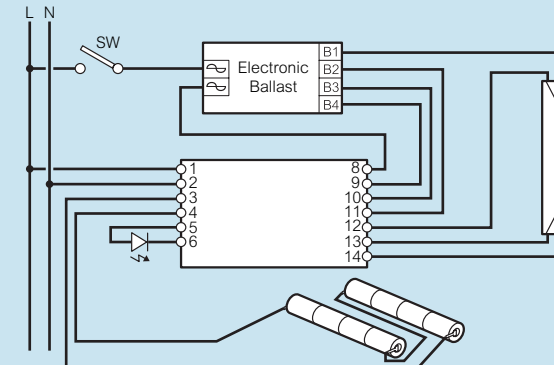
**For Cat.Nos 6640 75/76/77**

With a conventional ballast



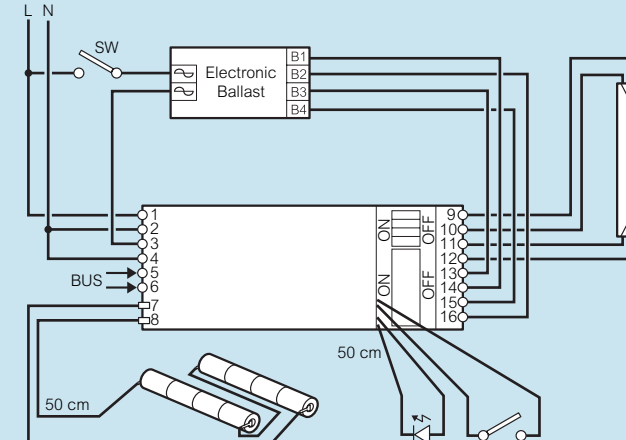
**For Cat.Nos 6640 78/79**

With an electronic ballast and 1 tube

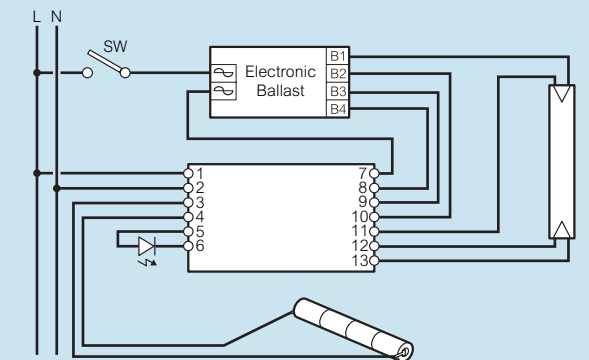


**For Cat.Nos 6640 80/81**

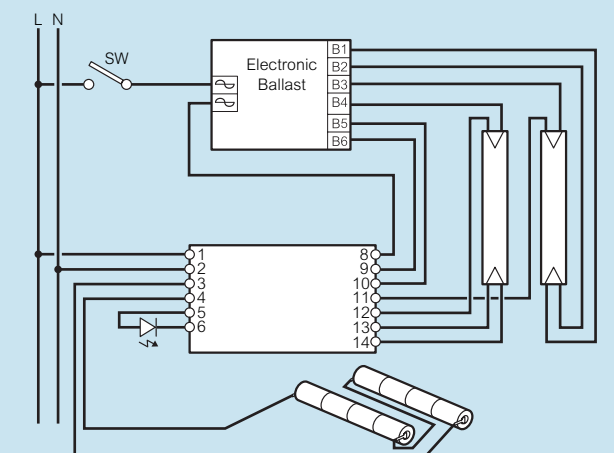
With an electronic ballast and 1 tube



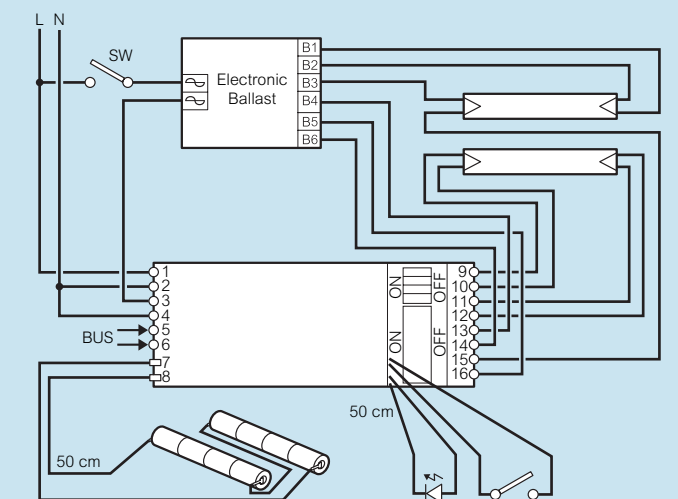
With an electronic ballast and 1 tube



With an electronic ballast, 6 terminals and 2 tubes



With an electronic ballast, 6 terminals and 2 tubes

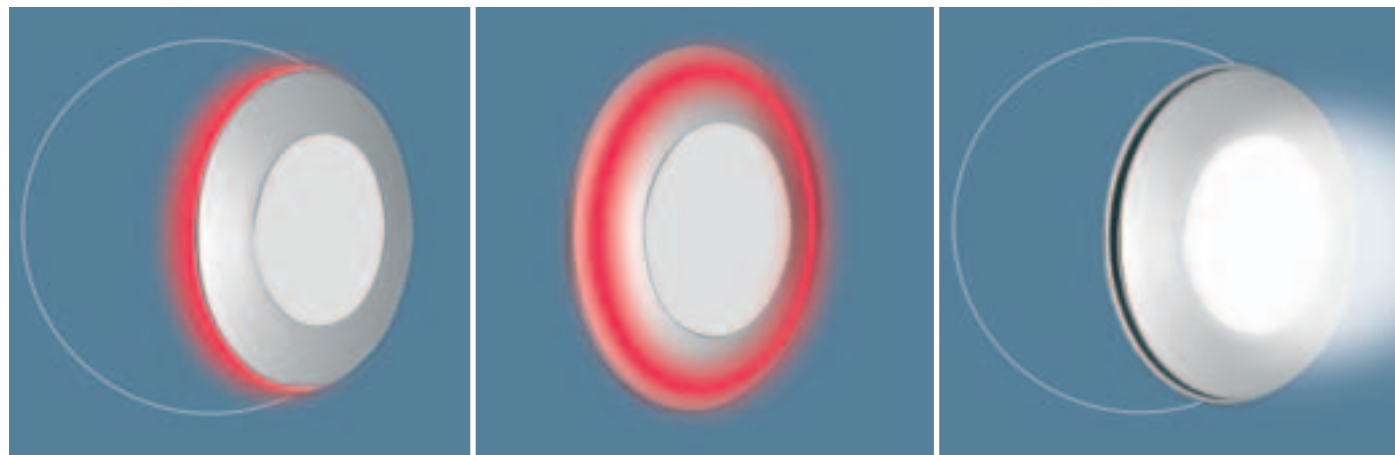






# The perfect combination of style and safety

For direct lighting that enhances the decor and style of the building. Perfectly suited to all types of premises open to the public, e.g. restaurants, hotels, shopping centres, offices, etc.



> **Signalling**

Under normal conditions, a decorative element designed to integrate smoothly into any public building

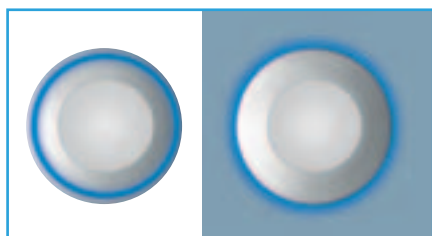
> **Locations**

Cinemas, theatres, concert halls, museums, conference halls, stadiums, casinos, night clubs, restaurants, coffee shops, hotels, shopping malls, office buildings, residential premises

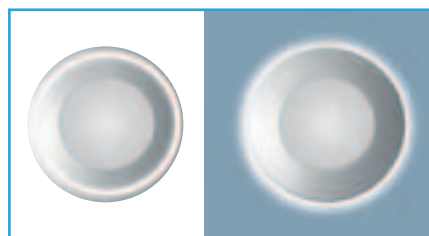
> **Emergency**

In the event of a power cut, a light path is created to guide the audience to the exit, the perfect complement to emergency lighting

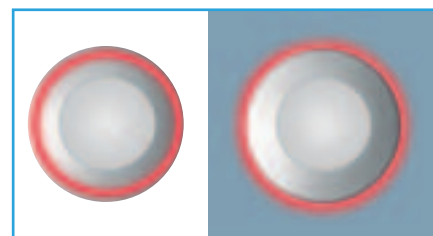
> **Emergency and signalling solutions**



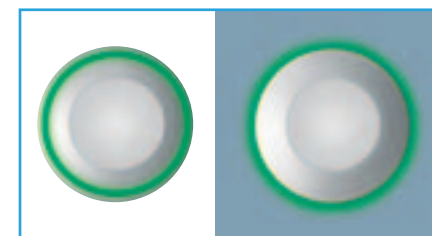
■ Blue



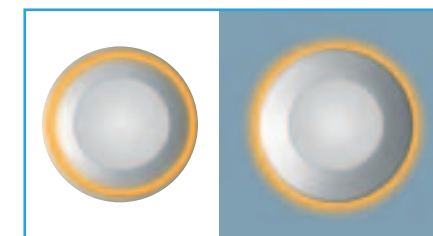
■ White



■ Red



■ Green



■ Amber

Diameter only 58 mm for discreet integration

Metal frame painted aluminium specifically designed to fit architects and designers tastes

Opal polycarbonate diffuser for greater impact resistance

LED technology (100 000 h lifetime):  
no lamp maintenance  
4 for signalling lighting (7 in 230 V)  
3 for emergency lighting



# As easy to install as an ordinary switch

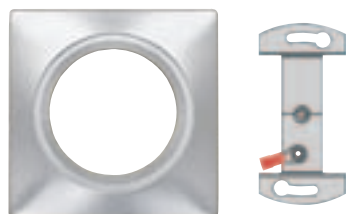
## > Accessories

### Installation possibilities

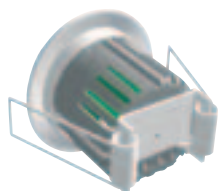
Flush-mounting box  
Cat.No. 6609 41



Adaptor frame for  
Ø 60/65 mm box  
Cat.No. 6609 42



Adaptor for  
wood/plasterboard  
partitions  
Cat.No. 6609 43



Round frame  
68 mm diameter  
Cat.No. 6609 44



Square frame  
68 x 68 mm  
Cat.No. 6609 45



## > Installation advantages

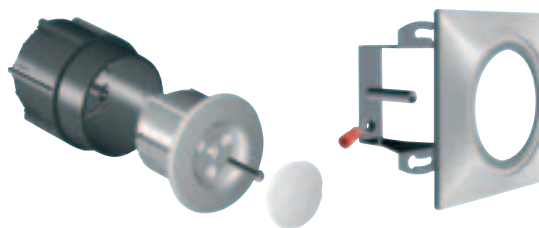
Terminal capacity: 2 x 1.5 mm<sup>2</sup> wires



Flush-mounting box capacity: 8 x 1.5 mm<sup>2</sup> wires



Fixing in box by just one screw, without need for levelling



4 colour LEDs for signalling and 3 white LEDs for emergency lighting, 7 colour LEDs for 230 V pilot lights: no maintenance required



**NEW**

# Lipso self-contained emergency lighting pilots

230 V



6609 03

6609 11

6609 11 + 6609 45

Self-contained emergency lighting pilots, certified to EN 60598-2-22 standard

Frontal or lateral lighting

Aluminium colour zamak finish

Class II

Leds requiring no maintenance as lamp sources:

-For self-contained and centralized pilot lights:

4 high luminosity colour LEDs for signalling and indicating battery charge

3 high luminosity white LEDs for emergency lighting

- For 230 V pilot lights: 7 high luminosity colour LEDs

Duration: 1 hour

Ni-Cd batteries: 2.4 V - 2/3 AAA

Charging time: 24h

Lumen output: 1.5 lm

Rest mode with Legrand remote control unit Cat.No 039 01

Screw terminals capacity for 2 x 1.5 mm<sup>2</sup>

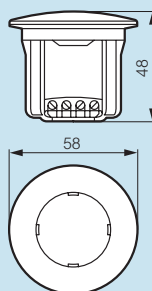
For installation in their own flush-mounting box, an Ø60/65 mm box or a plasterboard partition

# Lipso self-contained emergency lighting pilots

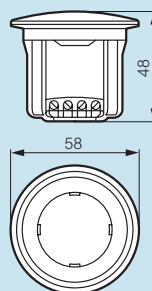
dimensions

## ■ Dimensions

### Lateral lighting

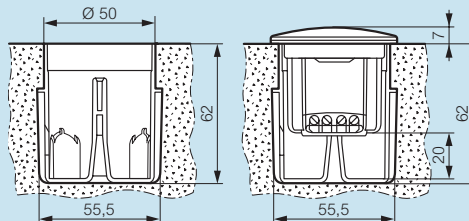


### Frontal lighting



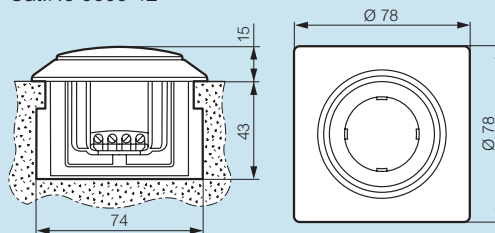
## Installation:

Flush-mounting on box Cat.No 6609 41

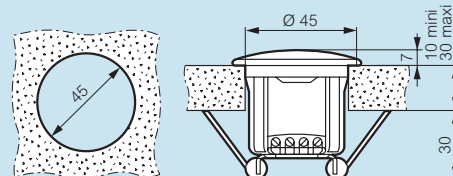


## Accessories:

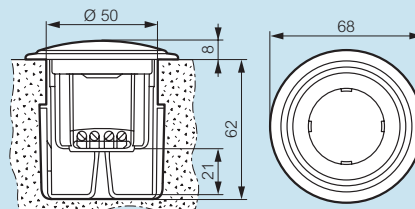
Flush-mounting on Ø 60/65 mm box with box adaptor frame Cat.No 6609 42



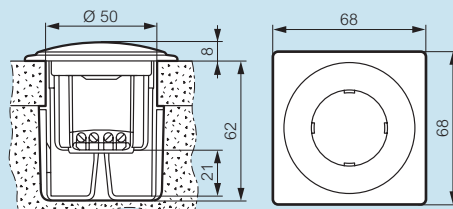
Flush-mounting for prefabricated partitions Cat.No 6609 43



Flush-mounting on box Cat.No 6609 41 with round frame Cat.No 6609 44



Flush-mounting on box Cat.No 6609 41 with square frame Cat.No 6609 45



## Self-contained emergency lighting pilots

Pack	Cat.Nos		
			230 V ± 10 % - 50/60 Hz
			<b>IP 44 - IK 07</b>
			White emergency lighting, and signalling in:
1	6609 01	6609 11	Blue
1	6609 02	6609 12	White
1	6609 03	6609 13	Red
1	6609 04	6609 14	Green
1	6609 05	6609 15	Amber
			<b>IP 66 - IK 08</b>
			White emergency lighting, and signalling in:
1	6609 07	6609 17	Blue
1	6609 06	6609 16	White

## 230 V lighting pilots

			<b>IP 44 - IK 07</b>
			For 230 VA mains voltage only, with 7 signalling LEDs in:
1	6609 51	6609 53	Blue
1	6609 52	6609 54	White

## Accessories

10	6609 41	Flush-mounting box
1	6609 42	Adaptor frame for Ø60/65 mm box
1	6609 43	Adaptor for plasterboard partition
1	6609 44	Round frame Ø68 mm
1	6609 45	Square frame 68 x 68 mm

## Twin spot lights

self-contained emergency lighting luminaires



639 93



6608 42

Pack	Cat.Nos	Twin 20 W halogen spot lights non-maintained luminaires
		<p>Ideal for lighting large open areas or undefined, escape routes                      Particularly suitable for factory or warehouse areas where premises have high ceilings                      Certified to IEC 598-2-22 and EN 60598-2-22                      Power supply: 230/240 V - 50/60 Hz                      Steel housing is white epoxy power coated to ensure corrosion resistance                      Supplied with 2 x 20 W halogen lamps                      Lumen output: 2 x 400 lm                      Maintenance free sealed lead acid battery (12 V - 7 Ah, Cat.No 407 49), (1 for 1 h duration, 2 for 3 h duration)                      Recharge time: 24 h nominal (14 h for 1 h duration)                      Cable entry: 20 mm conduit knockout at one end                      Operating temperature: 0 to 25 °C</p> <p><b>BBK</b></p>
1	639 92	1 h
1	639 93	3 h

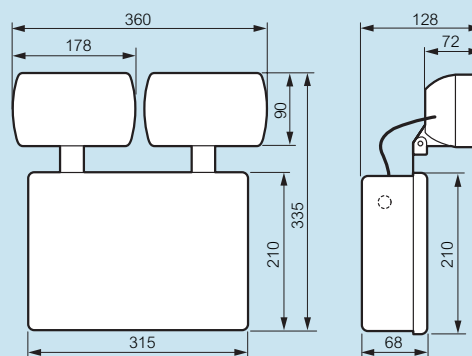
		Halogen spot lights non-maintained IP 55/IP 45 luminaires									
		<p>Certified to EN 60598-2-22 standard                      Power supply: 230 V +6 -10% - 50/60 Hz                      Lamp and emergency operation with a push-button                      Ni Cd batteries, high temperature type                      Recharge time: 24 hours                      Rest mode with Legrand remote control unit (Cat.No 039 01)                      Charge monitor with a green LED                      Grey colour enclosure</p> <p><b>2 lamps</b></p>									
1	6608 42	<table border="1"> <thead> <tr> <th>IP</th> <th>Lumens output</th> <th>Lamp</th> </tr> </thead> <tbody> <tr> <td>IP 55</td> <td>900</td> <td>2 x 35 W</td> </tr> <tr> <td>IP 45</td> <td>1 500</td> <td>2 x 65 W</td> </tr> </tbody> </table>	IP	Lumens output	Lamp	IP 55	900	2 x 35 W	IP 45	1 500	2 x 65 W
IP	Lumens output	Lamp									
IP 55	900	2 x 35 W									
IP 45	1 500	2 x 65 W									
1	6608 43	<table border="1"> <thead> <tr> <th>IP</th> <th>Lumens output</th> <th>Lamp</th> </tr> </thead> <tbody> <tr> <td>IP 45</td> <td>1 500</td> <td>2 x 65 W</td> </tr> </tbody> </table>	IP	Lumens output	Lamp	IP 45	1 500	2 x 65 W			
IP	Lumens output	Lamp									
IP 45	1 500	2 x 65 W									

## Twin spot lights

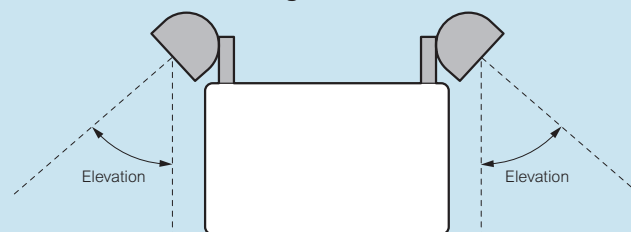
self-contained emergency lighting luminaires

### ■ Twin 20 W halogen spot lights non-maintained luminaires

Dimensions (in mm)



### ■ Distribution of flood light



Maximum permitted spacing (in metres) to achieve 1 lux luminaire to wall

Height (m)	Elevation angle	Luminaire to Luminaire	Luminaire to wael
3	66°	17.4 m	8.0 m
4	50°	13.3 m	5.7 m
5	25°	10.0 m	3.5 m

Figures are given for guidance purposes

Height, "luminaire to luminaire" figures assume the spotlights are mounted in a horizontal attitude, with front faces of each spot pointing at the noted elevation angle and away from each other

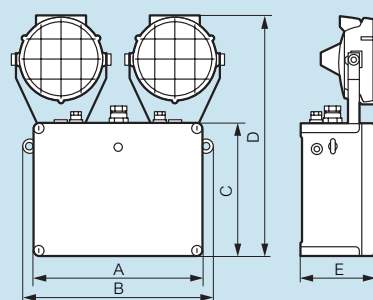
"Luminaire to Wall" figures can be used to determine the extent of an escape route in any direction from the luminaire

In both cases, the center line of the escape route is assumed to pass directly underneath the luminaire with the spots aimed along the centre line of the escape route

### ■ Halogen spot lights non-maintained IP 55/IP 45 luminaires

Dimensions (in mm)

Cat.Nos 6608 42/43



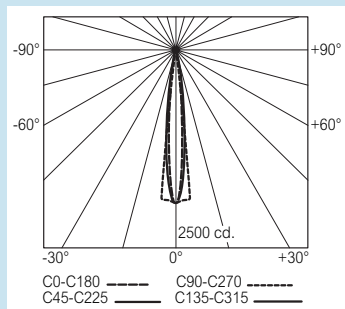
Cat.Nos	Dimensions (mm)				
	A	B	C	D	E
6608 42	330	370	260	430	124
6608 43	380	420	290	470	124

## Twin spot lights

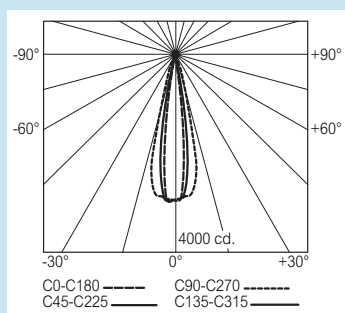
## remote control device

### ■ Distribution of luminous intensity in cd/ 1000 lm

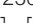
Cat.No 6608 42



Cat.Nos 6608 43



039 01

Pack	Cat.Nos	Remote control device
1	039 01	<p>Allows emergency lighting luminaires (up to 300 p.) off (rest-mode) upon intentional power failure</p> <p>Power supply: 230 V - 50/60 Hz</p> <p>Rail mounting </p> <p>Number of 17.5 mm modules: 4</p> <p>Use with Arcor<sup>2</sup>, G5, Strio 2, U21, B65, NT 65 and spot lights ranges</p> <p>Example of an installation with remote control device</p> <p>General power failure: In the event of a general power failure, either by default or intentionally, emergency lighting luminaires switches on</p> <p>Intentional power failure: Upon intentional power failure and by activating the remote control device the emergency lighting luminaires switch off, thus increasing their duration</p>



## safety portable lamps



608 92

608 93

608 95

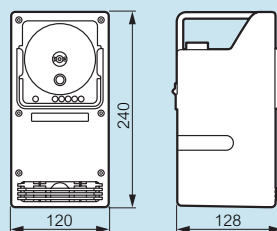
Pack	Cat.Nos	Safety portable lamps
		Supplied complete with built-in battery pack and charger When plugged into a mains socket, operate as safety lighting by switching on when there is a mains failure LED to indicate mains presence Mains connection lead also supplied 230 V~ supply
		<b>Plastic halogen lamps</b> Duration: 3 hours 2 switches - 5 operating positions (steady beam, flashing beam, steady pilot lamp, flashing pilot lamp, stop) Battery level indicator with LEDs Class II
1	608 92	IP 40 5.5 W halogen lamp
1	608 93	IP 54 10 W halogen lamp Swivelling base plate Delivered with 4 colour screens (Red, green, orange, blue)
1	608 95	<b>Plastic 3/9 W incandescent lamp</b> 1 switch, 3 positions: stop, full power (9 W, 1 h duration), 1/3 full power (3 W, 3 h duration) Green LED as charge indicator

## safety portable lamps

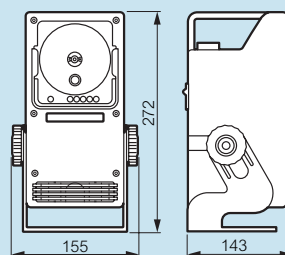
### ■ Safety portable lamps

#### Dimensions (in mm)

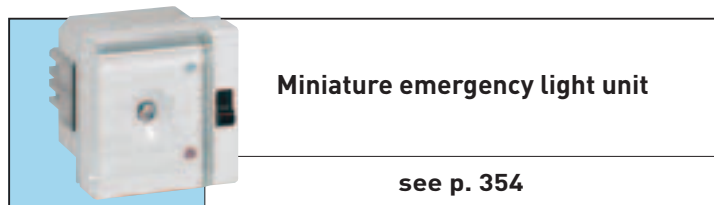
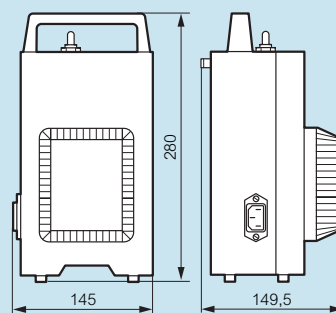
Cat.No 608 92



Cat.No 608 93



Cat.No 608 95



## spare parts



609 41

Pack	Cat.Nos	Lamps and tubes
<b>Lamps</b>		
1	609 18	6 V - 10 W (halogen lamp)
25	609 28	12 V - 0.25 A - 3 W (E 10)
10	609 29	6 V - 0.9 A - 5.5 W (E 10)
25	609 31	3.6 V - 1 A - 3.6 W (E 10)
10	609 39	6 V - 1.2 W (W 2 x 4.6 d)
<b>Tubes</b>		
5	607 51	6 W
5	607 53	11 W
5	609 41	8 W

Pack	Cat.Nos	Nickel - Cadmium batteries
According to IEC 60285-1		
1	610 11	1.2 V - 2 Ah
1	610 12	1.2 V - 4 Ah
1	610 13	1.2 V - 7 Ah
1	610 17	3.6 V - 4 Ah
1	610 18	4.8 V - 4 Ah
1	617 99	8.4 V - 1.5 Ah
1	618 83	3.6 V - 1.5 Ah
1	618 84	4.8 V - 1.5 Ah
1	618 85	6.0 V - 1.5 Ah
5	618 86	7.2 V - 1.5 Ah
10	618 88	3.6 V - 4 Ah
1	618 89	4.8 V - 4 Ah
1	618 92	2.4 V - 1.5 A
4	660 98	4.8 V - 1.6 Ah
4	660 99	7.2 V - 1.6 Ah
4	6608 16	3.6 V - 4 Ah Stick type
2	6608 17	3.6 V - 4 Ah Side/Side type
2	6608 18	3.6 V - 1.2 Ah Side/Side type
2	6608 80	3.6 V - 4 Ah Triangle type
4	6608 81	7.2 V - 1.5 Ah Stick type
2	6608 83	4.8 V - 1.5 Ah Side/Side type
2	6608 84	2.4 V - 4 Ah Side/Side type
4	6608 86	2.4 V - 4 Ah Stick type
4	6608 87	7.2 V - 4 Ah Stick type

Pack	Cat.Nos	Nickel metal-hydride batteries
1	6608 35	3.6 V - 1.6 Ah (Ni-MH)
1	6608 36	4.8 V - 2.2 Ah (Ni-MH)
1	6008 37	6 V - 2.2 Ah (Ni-MH)

## labels

for emergency lighting luminaires

Pack	Cat.Nos	Labels
Conform to CEE 92-58 and ISO 3864		
10	609 50	227 x 26 mm
5	609 97	215 x 107 mm
5	609 98	215 x 107 mm
5	609 64	227 x 90 mm
5	609 90	227 x 90 mm
5	609 91	227 x 90 mm
5	609 56	230 x 45 mm
5	609 57	230 x 90 mm
5	609 58	230 x 45 mm
5	610 00	225 x 110 mm
5	610 01	225 x 110 mm
5	610 02	225 x 110 mm
5	6608 65	310 x 112 mm
5	6608 66	310 x 112 mm
5	6608 67	310 x 112 mm
200	6608 64	310 x 112 mm
5	6608 68	310 x 112 mm
5	6608 69	310 x 112 mm
5	6608 74	310 x 112 mm
5	6608 75	310 x 112 mm
5	6608 76	310 x 112 mm