

19" XL VDI wall mounting cabinets and accessories



Technical characteristics (p. 814-815)

IP 20 - IK 08
 Equipped with:
 1 reversible curved door made of screen-printed safety glass
 2 lateral panels removable from inside (no tools needed)
 Key locking 2433A
 2 x 19" adjustable depth uprights
 Top and bottom plain cable entry plates
 Top and bottom grilles for natural ventilation, can take a fan in the top part
 White RAL 9002

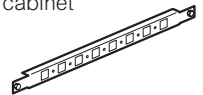
| Pack | Cat.Nos | Fixed cabinets | | | |
|------------------------------|---------|----------------|------------|-------------|-----------------------|
| 400 mm depth cabinets | | | | | |
| | | Capacity | Width (mm) | Height (mm) | Permissible load (kg) |
| 1 | 340 36 | 6 U | 600 | 350 | 18 |
| 1 | 340 37 | 9 U | 600 | 500 | 27 |
| 1 | 340 38 | 12 U | 600 | 600 | 36 |
| 580 mm depth cabinets | | | | | |
| | | Capacity | Width (mm) | Height (mm) | Permissible load (kg) |
| 1 | 340 46 | 9 U | 600 | 500 | 27 |
| 1 | 340 48 | 12 U | 600 | 600 | 36 |
| 1 | 340 49 | 16 U | 600 | 800 | 48 |

| Pivoting cabinets | | | | | |
|--|--------|----------|------------|-------------|-----------------------|
| 600 mm depth cabinets | | | | | |
| Comprising: | | | | | |
| - A base (wall fixing) | | | | | |
| - A pivoting body providing unrestricted access to the rear of the cabinet for easy installation and maintenance | | | | | |
| Reversible pivoting direction | | | | | |
| Supplied with a horizontal cable support | | | | | |
| Cat.No 340 78 | | | | | |
| | | Capacity | Width (mm) | Height (mm) | Permissible load (kg) |
| 1 | 340 51 | 9 U | 600 | 500 | 27 |
| 1 | 340 52 | 12 U | 600 | 600 | 36 |
| 1 | 340 53 | 16 U | 600 | 800 | 48 |
| 1 | 340 55 | 21 U | 600 | 1000 | 63 |

| Accessories | |
|---|--------|
| Cable entry plate | |
| 1 | 340 83 |
| Fits in place of the plain plate at top or bottom Plate with brush | |



| Pack | Cat.Nos | Accessories (continued) | |
|---------------------------|---------|---|--|
| Fan | | | |
| | | Fix directly on the top of the cabinet | |
| 1 | 348 39 | 230 V fan with 2.5 m cord | |
| Thermostat | | | |
| | | Adjustable from 5 to 60 °C, 12 to 250 V | |
| 1 | 348 48 | NO contact: 10 A ; NC contact: 5A Magnetic fixing | |
| Cable supports | | | |
| | | Fix horizontally at the back of the cabinet for cable management | |
| 1 | 340 80 | For fixed cabinets (set of 2) | |
| 1 | 340 78 | For pivoting cabinets | |
| 1 U fixed shelf | | | |
| | | Depth 115 mm Max. load 20 kg | |
| 1 | 332 25 | Depth 250 mm (fitted projecting from two 19" uprights, for wall mounting and freestanding cabinets) Max. load 20 kg | |
| 1 | 332 28 | Depth 300 mm (fitted projecting from two 19" uprights, for freestanding and depth 580 and 600 mm wall mounting cabinets) Max. load 20 kg | |
| IP 2x DIN rail kit | | | |
| | | For mounting Lexic Legrand equipment Fits directly onto 19" uprights Helps compliance with EMC requirements Comprises: | |
| | | <ul style="list-style-type: none"> • metal box • 24 module DIN rail • terminal block for grounding • 3 U faceplate • 24 module blanking plate • 14 cable entry glands | |
| Earthing kit | | | |
| 1 | 331 39 | 3 x green-yellow wires Length 250 mm, 2.5 mm ² | |



Cable management

see p. 811

NEW

mini XL VDI wall mounting cabinet and accessories

for small business applications



329 81



329 14



329 48

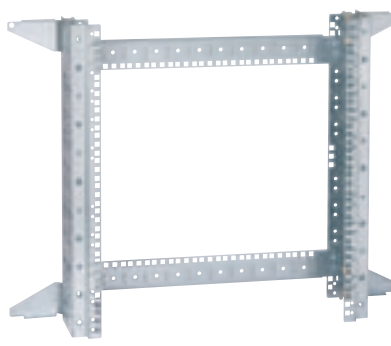


329 87



329 90

VDI equipment for weatherproof cabinets



340 71



329 46



329 47



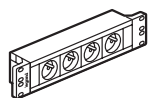
332 40



Installation principles (p. 814-819)

| Pack | Cat.Nos | Mini XL VDI cabinet | | | | | | | | |
|----------|------------|---|-----------------------|------------|-------------|-----------------------|-----|-----|-----|----|
| 1 | 329 81 | 300 mm depth cabinet Compact cabinet suitable for small business applications up to 36 RJ 45 sockets IP 20 - IK 08 Equipped with: - 1 reversible curved door made of safety glass - 2 lateral panels removable from inside - Key locking 405 - 2 depth adjustable uprights - Top, bottom, side and rear cable entries - Top and bottom perforations for natural ventilation White RAL 9002 | | | | | | | | |
| | | <table border="1"> <thead> <tr> <th>Capacity</th> <th>Width (mm)</th> <th>Height (mm)</th> <th>Permissible load (kg)</th> </tr> </thead> <tbody> <tr> <td>6 U</td> <td>340</td> <td>350</td> <td>12</td> </tr> </tbody> </table> | Capacity | Width (mm) | Height (mm) | Permissible load (kg) | 6 U | 340 | 350 | 12 |
| Capacity | Width (mm) | Height (mm) | Permissible load (kg) | | | | | | | |
| 6 U | 340 | 350 | 12 | | | | | | | |

| Pack | Cat.Nos | Accessories |
|------|---------|--|
| 1 | 329 14 | Self-assembly patch panel Accepts 3 LCS units or 1 LCS unit and 1 optical fibre cassette (p. 791) |
| 1 | 329 48 | 1 U fixed shelf Depth 120 mm Max. load 10 kg |
| 1 | 329 87 | Power supply units To supply active products with 230 V 4 x 2P + \pm -10/16 A (French standard) |
| 1 | 329 88 | 4 x 2P + \pm -10/16 A (German standard) |
| 1 | 329 90 | For equipping with Mosaic 2P + \pm sockets Takes up to 8 Mosaic modules |



| Pack | Cat.Nos | Wall-mounting VDI chassis for Atlantic, stainless steel Atlantic and Marina cabinets |
|------|---------|---|
| 1 | 340 70 | 6 U chassis |
| 1 | 340 71 | 12 U chassis |
| 1 | 340 72 | 16 U chassis |

For integrating 19" VDI equipment in Atlantic, stainless steel Atlantic and Marina cabinets, width 600 or 800 mm and depth 250 mm min.
 In 400 mm wide cabinets, the chassis can be used to integrate VDI equipments from the mini XL VDI cabinet
 Can be fixed directly to the wall to create a wall-mounting chassis (without cabinet)
 Supplied not assembled
 Self-locking cable ties and cable ties with tightening indicator (p. 813) can be fitted

| Pack | Cat.Nos | Cable entry for Atlantic cabinets width 600 or 800 mm and 19" accessory |
|------|---------|--|
| 1 | 329 46 | Cable entry IP 43 cable entry plate with brush |
| 1 | 329 47 | IP 55 cable entry plate with multi-entry cable glands Supplied with 12 ISO 32 cable glands Cat.No. 980 50 Each cable gland takes 4 UTP/FTP/SFTP cables (Ø6,5 to 9,5 mm) Cords with connectors can be fed through without having to dismantle the cable gland Supplied with blanking plates for unused entries |
| 1 | 332 40 | 1 U fixed shelf Depth 115 mm Max. load 20 kg |

Patch cords (p. 793)



Weatherproof cabinets
 - Atlantic p. 268
 - Marina p. 274



We have a VDI enclosure for every need



- > **More dimensions**
Freestanding cabinets:
 - height 24, 29, 33, 42 and 47 U
 - depth 600, 800 and 1000 mm
 - width 600 and 800 mm
- > **Customized structure:**
 - doors
 - cable entry plates
 - colours (180 RAL)
- > **Pre-mounted equipment:**
 - management panels
 - ventilation
 - power supply units, etc.

For further information, please contact us

XL VDI 19" freestanding cabinets



332 01



332 00



Technical characteristics (p. 817-819)

IP 20 - IK 08
 Equipped with:
 Reversible curved front door made of screen-printed safety glass
 Reversible metal rear door
 Removable lateral panels
 Four sides lockable with 2433 A key lock
 Extension cabinet supplied with joining kit and no lateral panels
 Integrated plinth height 100 mm with ventilated plates
 Levelling feet adjustable from inside
 Supplied with 2 x 19" uprights in 600 mm depth version, and 4 uprights in 800 mm depth version
 Supplied with plain plates at the top
 White RAL 9002

| Pack | Cat.Nos | | 19" XL VDI cabinets | | | |
|------|------------------|-------------------|---------------------|--------------------|-------------|-----------------------|
| | Standard cabinet | Extension cabinet | Capacity | Width x depth (mm) | Height (mm) | Permissible load (kg) |
| 1 | 332 18 | | 24 U | 600 x 600 | 1 308 | 240 |
| 1 | 332 20 | | 29 U | 600 x 600 | 1 533 | 290 |
| 1 | 332 94 | | 33 U | 600 x 600 | 1 708 | 330 |
| 1 | 332 96 | 330 36 | 42 U | 600 x 600 | 2 108 | 420 |
| 1 | 332 97 | 330 37 | 42 U | 600 x 800 | 2 108 | 420 |
| 1 | 332 98 | 330 38 | 42 U | 800 x 600 | 2 108 | 420 |
| 1 | 332 99 | 330 39 | 42 U | 800 x 800 | 2 108 | 420 |
| 1 | 332 01 | 330 41 | 47 U | 800 x 800 | 2 333 | 470 |

| Pack | Cat.Nos | | 19" XL VDI server cabinet | | | |
|------|------------------|-------------------|---------------------------|--------------------|-------------|-----------------------|
| | Standard cabinet | Extension cabinet | Capacity | Width x Depth (mm) | Height (mm) | Permissible load (kg) |
| 1 | 332 00 | 330 40 | 42U | 800 x 1000 | 2 108 | 500 |

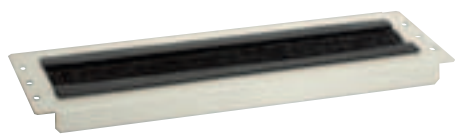
Depth 1000
 Supplied with 4 special-purpose 19" uprights for mounting any type of server
 Cabinets can be completely dismantled if site access is difficult
 Lateral reinforcements
 Perforated metal rear door
 Supplied with 50 x M6 cage nuts

| Pack | Cat.Nos | | 19" uprights | | | |
|------|------------------|-------------------|--------------|--------------------|-------------|-----------------------|
| | Standard cabinet | Extension cabinet | Capacity | Width x Depth (mm) | Height (mm) | Permissible load (kg) |
| 1 | 346 64 | | 24 U | | | |
| 1 | 346 65 | | 29 U | | | |
| 1 | 346 53 | | 33 U | | | |
| 1 | 346 54 | | 42 U | | | |

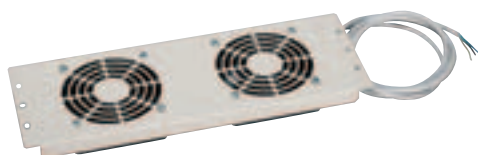
Set of 2 additional 19" uprights for 600 mm depth cabinets

XL VDI 19" cabinets

cable entry, ventilation and accessories



329 72



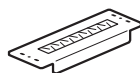
348 19



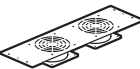
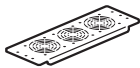
365 82

Technical characteristics (p. 819)

| Pack | Cat.Nos | Cable entry |
|------|---------|--|
| 1 | 329 72 | Plate with brush For top part of width 600 mm cabinet For bottom part of width 600 and 800 mm cabinet |
| 1 | 329 74 | For top part of width 800 mm cabinet |
| 1 | 348 21 | Plain plate For bottom part of width 600 and 800 mm cabinet |



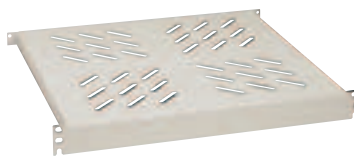
| Pack | Cat.Nos | Ventilation |
|------|---------|--|
| 1 | 348 27 | Ventilated plates For width 600 mm cabinet |
| 1 | 348 28 | For width 800 mm cabinet |
| 1 | 348 19 | Plates with 230 V ~ fans 2.5 m cord For width 600 mm cabinet, 2 fans |
| 1 | 348 20 | For width 800 mm cabinet, 3 fans |
| 1 | 348 39 | 230 V fan 2.5 m cord For mounting on ventilated plates Cat.Nos 348 27/28 |
| 1 | 348 48 | Thermostat Adjustable from 5 to 60 °C, 12 to 250 V NO contact: 10 A ; NC contact: 5A Magnetic fixing |



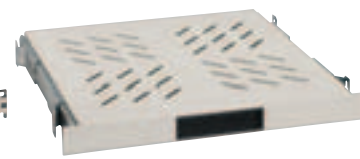
| Pack | Cat.Nos | Accessories |
|------|---------|---|
| 1 | 329 68 | Set of 4 casters Max. load on the 4 casters: 380 kg |
| 1 | 331 39 | Earthing kit 3 green-yellow wires Length 250 mm, 2.5 mm ² |
| 20 | 347 95 | Earthing strip Length 200 mm, 6 mm ² |
| 1 | 345 42 | IP 20 lighting kit 35 W incandescent tube Fixed directly onto the structure |
| 20 | 365 80 | Document holder, internal dimensions: 310 x 200 x 18 mm |
| 20 | 365 81 | Document holder, internal dimensions: 230 x 130 x 18 mm |
| 1 | 365 82 | IP 50 closed document holder, internal dimensions: 324 x 120 x 18 mm Possible mounting on 3 U blanking plate Cat.No 346 78 |

XL VDI 19" cabinets

19" equipment



329 49

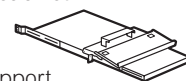


329 51

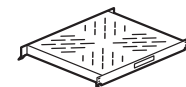


331 36

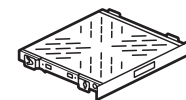
| Pack | Cat.Nos | Keyboard support shelf |
|------|---------|---|
| 1 | 329 60 | Fit on 4 x 19" uprights For 800 mm and 1 000 mm depth cabinet Max. load: 50 kg Can receive: - a data-processing screen - a keyboard on the retractable support - a mouse on a sliding shelf with integrated carpet Housing for mouse or CD |



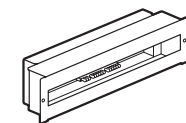
| Pack | Cat.Nos | Fixed shelves, 1 U |
|------|---------|---|
| 1 | 332 25 | Depth 250 mm (fitted projecting from two 19" uprights, for wall mounting and freestanding cabinets) Max. load 20 kg |
| 1 | 332 28 | Depth 300 mm (fitted projecting from two 19" uprights, for freestanding and depth 580 and 600 mm wall mounting cabinets) Max. load 20 kg |
| 1 | 329 49 | Fit on 4 x 19" uprights Depth 425 mm For 600 mm depth cabinet Max. load: 80 kg |
| 1 | 329 50 | Fit on 4 x 19" uprights Depth 625 mm For 800 mm depth cabinet Max. load: 80 kg |
| 1 | 329 56 | Fit on 4 x 19" uprights Depth 822 mm For 1 000 mm depth cabinet Max. load: 80 kg |



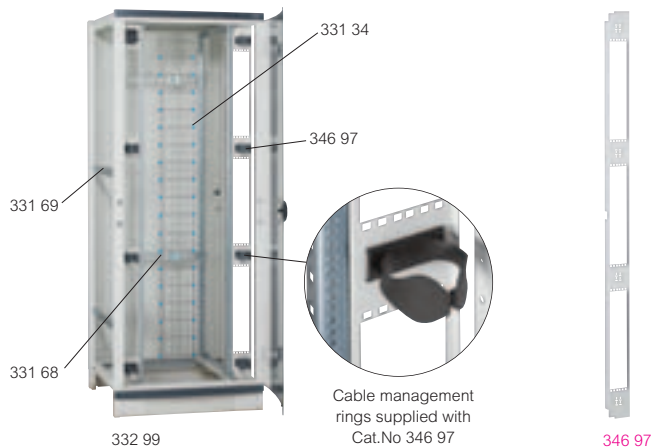
| Pack | Cat.Nos | Telescopic shelves, 1 U |
|------|---------|---|
| 1 | 329 51 | Fit on 4 x 19" uprights Depth 440 mm For 600 mm depth cabinet Max. load: 50 kg |
| 1 | 329 52 | Fit on 4 x 19" uprights Depth 640 mm For 800 mm depth cabinet Max. load: 50 kg |
| 1 | 329 57 | Fit on 4 x 19" uprights Depth 640 mm For 1 000 mm depth cabinet Max. load: 50 kg |



| Pack | Cat.Nos | IP 2X DIN rail kit |
|------|---------|--|
| 1 | 331 36 | For mounting Legrand Lexic equipment Fits directly onto 19" uprights Helps compliance with EMC requirements Comprises: • metal box • 24 module DIN rail • terminal block for grounding • 3 U faceplate • 24 module blanking plate • 14 cable entry glands |



XL VDI 19" cabinets and Bati-rack cable management



| Pack | Cat.Nos | Cable supports |
|------|---------|--|
| 1 | 331 67 | Set of 2 cable supports Universal perforations allow fixing of cable management accessories (cable trays, cable ties...) Lateral mounting between 19" uprights For 600 mm depth cabinet Mounting distance: 275 mm |
| 1 | 331 68 | Mounting: - Lateral on structure for 600 mm depth cabinet - Lateral between 19" uprights for 800 mm depth cabinet - Front or back between 19" uprights for all sizes Mounting distance: 475 mm |
| 1 | 331 69 | Mounting: - Lateral on structure for 800 mm depth cabinet - Lateral between 19" uprights for 1000 mm depth cabinet Mounting distance: 675 mm |
| 1 | 331 70 | Lateral mounting on structure for 1000 mm depth cabinet Mounting distance: 875 mm |

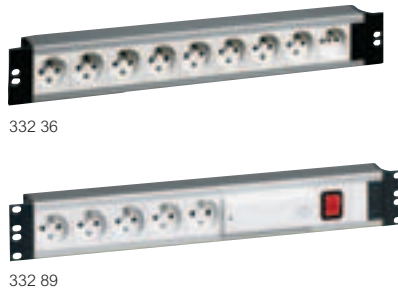
| Pack | Cat.Nos | Wire cable tray |
|------|---------|---|
| 1 | 331 28 | Mounted with cable supports Lateral cable tray, dimensions: 1 100 x 200 x 50 mm For 24 and 29 U height cabinets |
| 1 | 332 34 | Lateral cable tray, dimensions: 1 400 x 200 x 50 mm For 33 U height cabinets |
| 1 | 331 34 | Lateral cable tray, dimensions: 1 800 x 200 x 50 mm For 42 U and 47 U height cabinets |

| Pack | Cat.Nos | Cable management |
|------|---------|--|
| 1 | 331 35 | For 42 U cabinets, 800 mm wide Mounted onto 19" uprights Cable management tray Dimensions: 1 560 x 100 x 150 mm |
| 1 | 346 97 | Set of 2 uprights allowing to increase cabinet capacity with 12 U for the 19" equipment assembly into vertical (management panels, power supply units...) Supplied with 8 cable management rings 2 U and cable ties with tightening indicator |
| 1 | 346 98 | Set of 2 vertical trim plates with brush openings for cable management Supplied with 10 management rings (2 U), 3 cable ties Cat.No 331 94, 3 cable ties Cat.No 331 95 and 3 cable ties Cat.No 331 96 |

| Pack | Cat.Nos | 19" Bati-rack |
|------|---------|---|
| 1 | 346 51 | Comprising 2 x 19" uprights Can build a chassis with 4 uprights using Cat.No 346 59 Capacity Width x depth (mm) Height (mm) Permissible load (kg) 42 U 600 x 464 1 960 210 |

| Pack | Cat.Nos | Uprights for Bati-rack |
|------|---------|--|
| 1 | 346 59 | Set of 2 additional 42 U 19" uprights for building a chassis with 4 uprights |

19" power supply unit 230 V



Reversible front, rear or lateral mounting on uprights
Terminal box connection, cross-section 2.5 mm²
Provide a 2 U space

| Pack | Cat.Nos | German standard |
|------|---------|--------------------------|
| 1 | 6339 01 | 6 x 2P + ⊕ sockets |
| 1 | 332 38 | 6 x 2P + ⊕ sockets + MCB |
| 1 | 332 39 | 9 x 2P + ⊕ sockets |

| Pack | Cat.Nos | BS standard |
|------|---------|-----------------------------|
| 1 | 6339 00 | 5 x 2P + ⊕ sockets + switch |

| Pack | Cat.Nos | French standard |
|------|---------|--|
| 1 | 332 36 | Socket units 9 x 2P + ⊕ sockets |
| 1 | 332 37 | 6 x 2P + ⊕ sockets + double pole MCB, 16 A |
| 1 | 332 86 | 6 x 2P + ⊕ sockets |
| 1 | 332 89 | Unit with voltage surge protector and interference filter 5 x 2P + ⊕ sockets + voltage surge protector and interference filter Keeps sockets energised after a mains overvoltage or lightning strike Interchangeable voltage surge protector module Ensures continuity of service |

| Pack | Cat.Nos | Self-assembly unit |
|------|---------|-------------------------|
| 1 | 332 79 | Takes 16 Mosaic modules |

**19" power supply units
configured on request**

please consult us

cable management

19" management panels



332 56



332 46



332 44



332 47



331 41

cable management

cable ties for VDI application



331 94



331 95

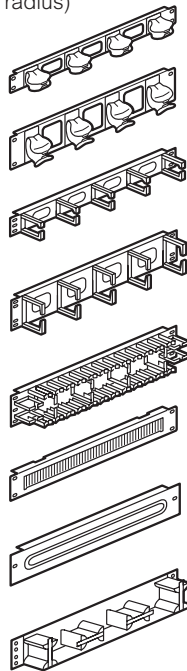


331 96



320 68

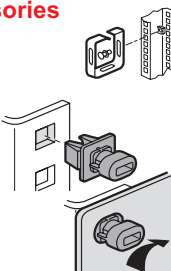
| Pack | Cat.Nos | 19" management panels |
|------|---------|---|
| | | For organization and circulation of patch cords Vertical, horizontal and front to back management Supplied with screws Management panels, 2 axes Horizontal and front to back management With round shaped rings for an optimal protection of the cords (respect of the bending radius) |
| 1 | 332 56 | 1 U |
| 1 | 332 55 | 2 U |
| 1 | 332 46 | 1 U panel, 2 axes, metal Horizontal and front to back management |
| 1 | 332 45 | 2 U panel, 2 axes, metal Horizontal and front to back management |
| 1 | 332 44 | 2 U panel, 3 axes Vertical, horizontal and front to back management |
| 1 | 332 47 | 1 U panel, with brush Front to back management |
| 1 | 332 31 | 2 U panel, 1 axis Front to back management |
| 1 | 332 48 | Optical fibre management panel 2 U, 2 axes For optical fibre jumper, vertical and horizontal management |



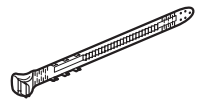
| Pack | Cat.Nos | Blanking plates |
|------|---------|-----------------|
| 1 | 346 77 | 1 U |
| 1 | 346 74 | 2 U |
| 1 | 346 78 | 3 U |



| Pack | Cat.Nos | Cable guide and fixing accessories |
|------|---------|---|
| 4 | 332 35 | Wire-guide ring Usable cross-section 56 x 89 mm |
| 50 | 331 41 | Rapid fixing-kit for 19" panels For installation on 19" VDI uprights For 1/4 turn rapid fastening Not suitable for heavy active products Insulating material RAL 9002 |
| 1 | 364 53 | Set of 50 cage nuts, 50 plastic washers and 50 M6 screws |



| Pack | Cat.Nos | Cable ties with tightening indicator | | | | | | | | | | | | | | | | | | |
|------------|-------------|---|------------|-------------|--------------|--|------|------|----|--------|----|----|----|--------|----|----|----|--------|----|----|
| | | Cable ties with warning system to prevent damaging cables Pinch to adjust Reusable | | | | | | | | | | | | | | | | | | |
| | | <table border="1"> <thead> <tr> <th rowspan="2">Width (mm)</th> <th rowspan="2">Length (mm)</th> <th colspan="2">Tightening Ø</th> </tr> <tr> <th>max.</th> <th>min.</th> </tr> </thead> <tbody> <tr> <td>50</td> <td>331 94</td> <td>35</td> <td>15</td> </tr> <tr> <td>50</td> <td>331 95</td> <td>50</td> <td>35</td> </tr> <tr> <td>50</td> <td>331 96</td> <td>80</td> <td>50</td> </tr> </tbody> </table> | Width (mm) | Length (mm) | Tightening Ø | | max. | min. | 50 | 331 94 | 35 | 15 | 50 | 331 95 | 50 | 35 | 50 | 331 96 | 80 | 50 |
| Width (mm) | Length (mm) | Tightening Ø | | | | | | | | | | | | | | | | | | |
| | | max. | min. | | | | | | | | | | | | | | | | | |
| 50 | 331 94 | 35 | 15 | | | | | | | | | | | | | | | | | |
| 50 | 331 95 | 50 | 35 | | | | | | | | | | | | | | | | | |
| 50 | 331 96 | 80 | 50 | | | | | | | | | | | | | | | | | |
| 50 | 320 68 | Self adhesive base Possible central fixing with screw Ø4 mm Black - 38 x 38 x 9.4 mm For ties up to 20 mm max. width | | | | | | | | | | | | | | | | | | |



Portable labelling system (p. 381)

XL VDI 19" wall mounting cabinets

General characteristics

Metal wall mounting cabinets
 Textured polyester coating RAL 9002 providing excellent corrosion and scratch resistance
 Front door made of safety glass
 Protection class against solid bodies and liquids: IP 20
 Protection class against mechanical impact: IK 08
 Max. load: 3 kg/U (i.e.: 48 kg for a 16 U wall mounting cabinet)
 12 kg for the mini XL VDI cabinet

Conformity to standards

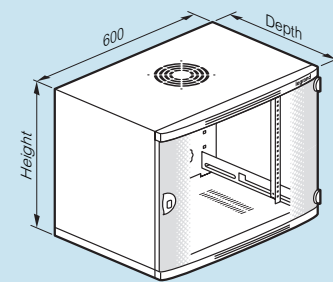
The XL VDI 19" wall mounting cabinets are in accordance with the following standards:

| | |
|---|--|
| IEC 60529 EN 60529 | Degrees of protection provided by enclosures (IP code) |
| IEC 62262 EN 62262 | Degrees of protection provided by enclosures for electrical equipment against external mechanical impact (IK code) |
| IEC 60950 - 1 EN 60950 - 1 C 77-210 - 1 | Information technology equipment - Safety |
| EIA-310-D | Cabinets, racks, panels and associated equipment (ANSI/EIA/310-D-1992) |
| IEC 60297-1 & 2 DIN 41414-7 | Dimensions of mechanical structures of the 482.6 mm (19") series |

The XL VDI 19" wall mounting cabinets are designed to be integrated in installations that are in accordance with the following standards:

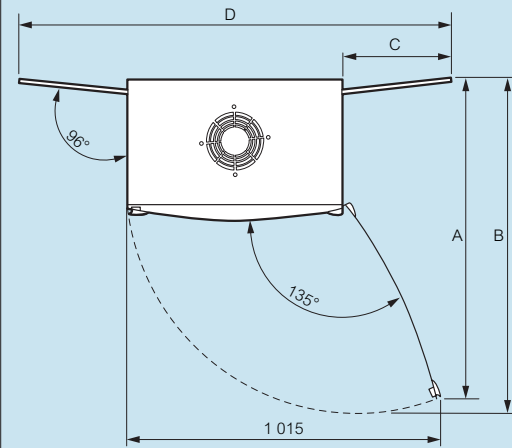
| | |
|----------------------------------|---|
| EN 50173-1 | Information technology - Generic cabling systems |
| EN 50174-1 & 2 C 90-480-1 & 2 | Information technology - Cabling installation |
| ISO IEC 11801 | Information technology - Generic cabling for customers premises |
| NF C 15-100 Part 4-41 | Low voltage electrical installations |
| UTE C90-483 | Cabling of communication network for homes |

Dimensions (mm)

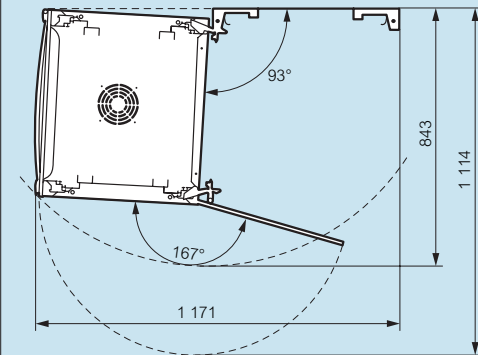


| | Cat.Nos | Capacity | Height | Width | Depth |
|-------------------|---------|----------|--------|-------|-------|
| Fixed cabinets | 340 36 | 6 U | 350 | 600 | 400 |
| | 340 37 | 9 U | 500 | | |
| | 340 38 | 12 U | 600 | | |
| | 340 46 | 9 U | 500 | | 580 |
| | 340 48 | 12 U | 600 | | |
| Pivoting cabinets | 340 49 | 16 U | 800 | 600 | 600 |
| | 340 51 | 9 U | 500 | | |
| | 340 52 | 12 U | 600 | | |
| | 340 53 | 16 U | 800 | | |
| Mini VDI cabinets | 329 81 | 6 U | 350 | 340 | 300 |

Front door and panels opening

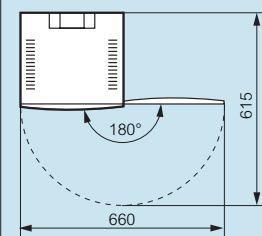


Pivoting body opening



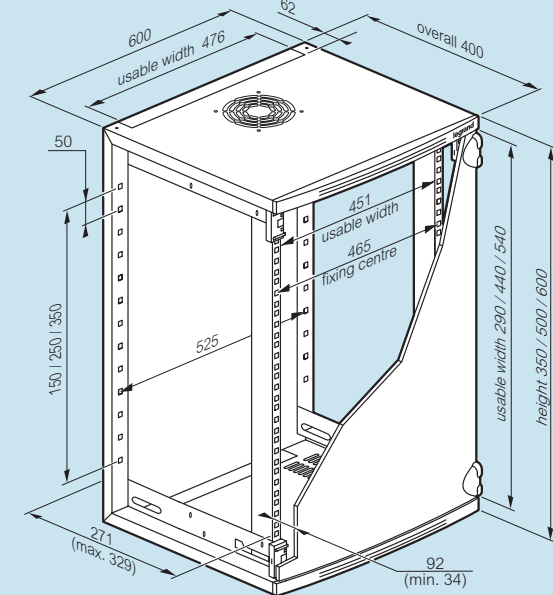
| | Cat.No | Front door open A | Front door open B | Panels open C | Panels open D |
|-------------------|--------|----------------------|----------------------|------------------|------------------|
| Fixed cabinets | 340 36 | | | | |
| | 340 37 | 800 | 962 | 305 | 1205 |
| | 340 38 | | | | |
| | 340 46 | | | | |
| | 340 48 | 978 | 1140 | 482.5 | 1565 |
| Pivoting cabinets | 340 49 | | | | |
| | 340 51 | | | | |
| | 340 52 | 1014 | 1179 | 482.5 | 1565 |
| | 340 53 | | | | |

Mini VDI cabinet door opening

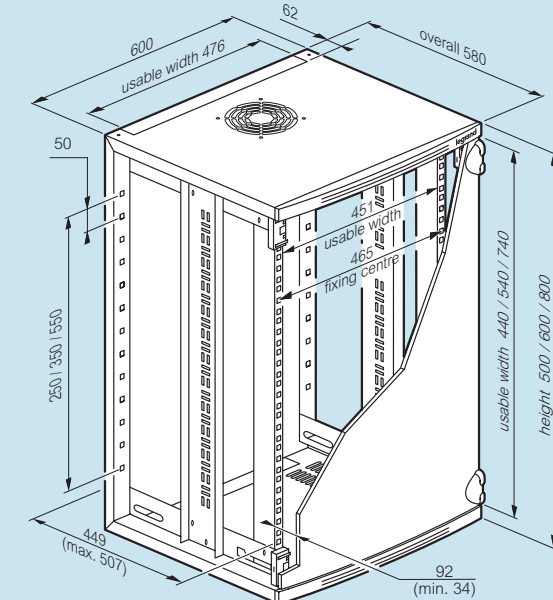


Usable depth (mm)

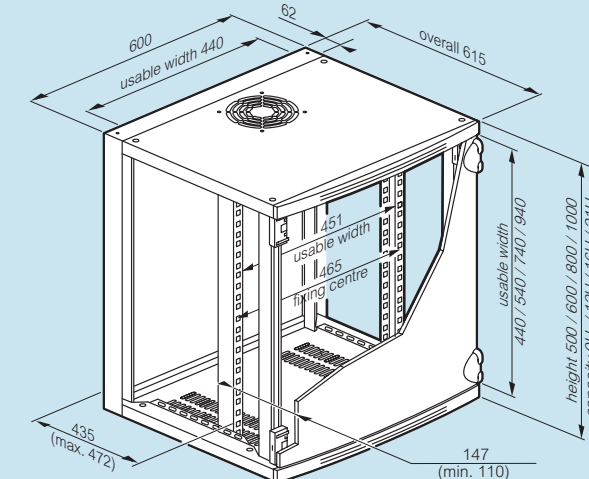
400 mm depth fixed cabinets



580 mm depth fixed cabinets

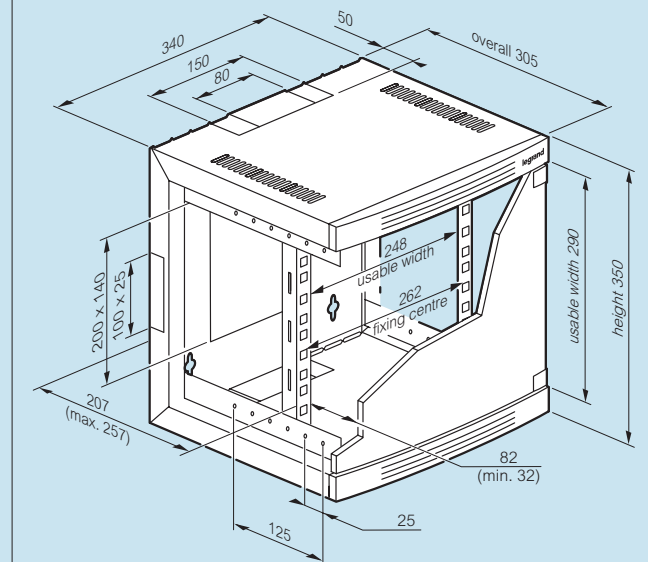


600 mm depth pivoting cabinets

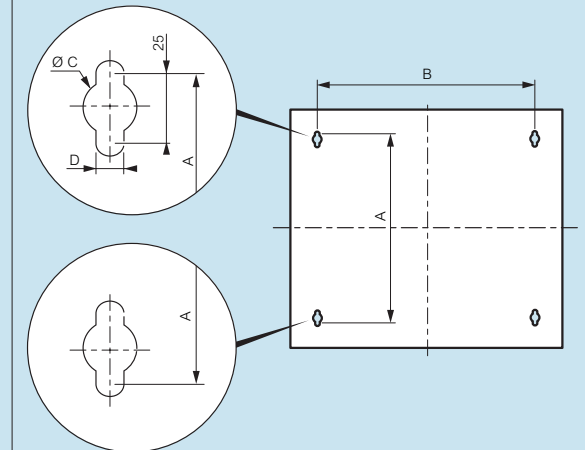


Usable depth (mm)

300 mm depth fixed cabinets



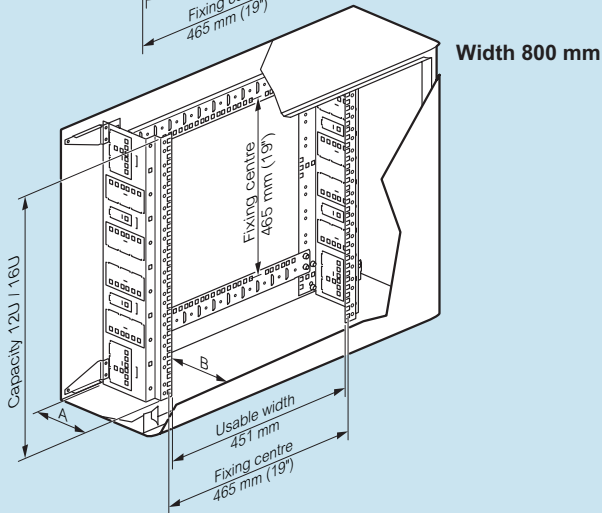
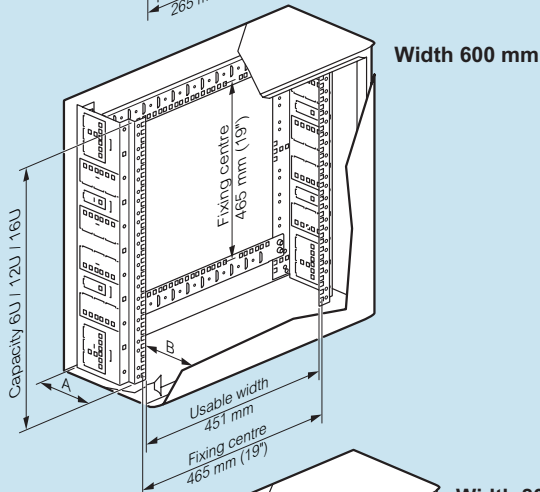
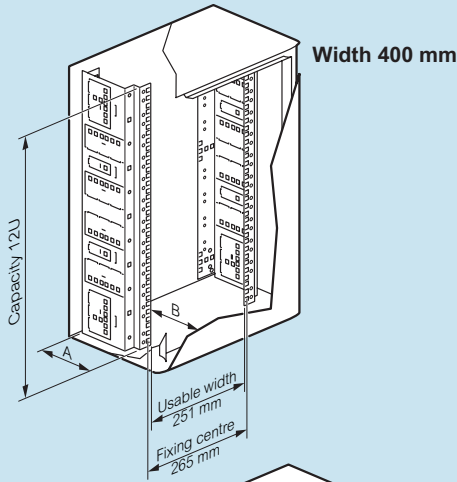
Fixing of wall-mounting cabinets (mm)



| | Capacity | A | B | C | D |
|-------------------|----------|-----|-------|----|-----|
| Fixed cabinets | 6 U | 250 | 406,4 | 20 | 11 |
| | 9 U | 400 | | | |
| | 12 U | 500 | | | |
| | 16 U | 700 | | | |
| Pivoting cabinets | 9 U | 425 | 500 | 18 | 9 |
| | 12 U | 525 | | | |
| | 16 U | 725 | | | |
| | 21 U | 925 | | | |
| Mini cabinet | 6 U | 275 | 250 | 15 | 6,5 |

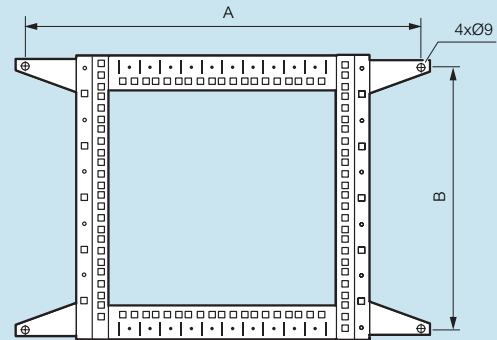
VDI equipment for weatherproof cabinets and cable management

■ Mounting VDI chassis in weatherproof cabinets



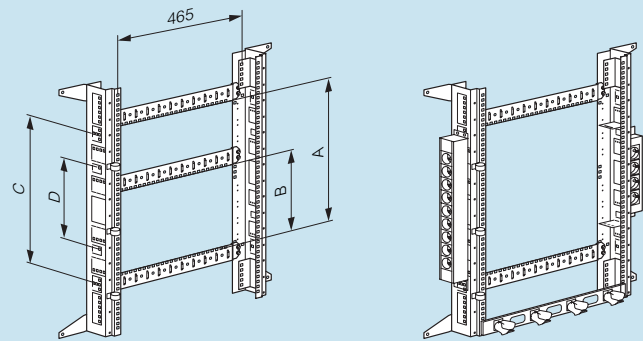
| Atlantic cabinets | | | | | |
|-----------------------------------|----------|---------------|---------------------------|------------------------|--------|
| Chassis Cat.Nos | Capacity | Cat.Nos | Dimensions H x W x D (mm) | Usable dim. under door | |
| | | | | A (mm) | B (mm) |
| 340 70 | 6 U | 355 06 | 400x600x250 | 145 | 105 |
| 340 71 | 12 U | 355 08-386 14 | 600x400x250 | 145 | 105 |
| 340 71 | 12 U | 355 10 | 600x600x250 | 145 | 105 |
| 340 71 | 12 U | 355 20 | 600x600x300 | 145 | 155 |
| 340 71 | 12 U | 355 21 | 600x800x300 | 145 | 155 |
| 340 72 | 16 U | 355 14-386 23 | 800x600x250 | 145 | 105 |
| 340 72 | 16 U | 355 23-386 24 | 800x600x300 | 145 | 155 |
| 340 72 | 16 U | 355 15 | 800x800x250 | 145 | 105 |
| 340 72 | 16 U | 355 24 | 800x800x300 | 145 | 155 |
| Marina cabinets | | | | | |
| 340 71 | 12 U | 362 55/75 | 600x400x250 | 150 | 100 |
| 340 72 | 16 U | 362 61/81 | 800x600x300 | 150 | 150 |
| Stainless steel Atlantic cabinets | | | | | |
| 340 71 | 12 U | 352 05 | 600x400x250 | 145 | 105 |
| 340 72 | 16 U | 352 11 | 800x600x300 | 145 | 155 |

■ Wall fixing



| Wall mounting chassis | | | |
|-----------------------|----------|--------|--------|
| Cat.Nos | Capacity | A (mm) | B (mm) |
| 340 70 | 6 U | 725 | 325 |
| 340 71 | 12 U | 725 | 525 |
| 340 72 | 16 U | 725 | 725 |

■ VDI chassis fixing centres

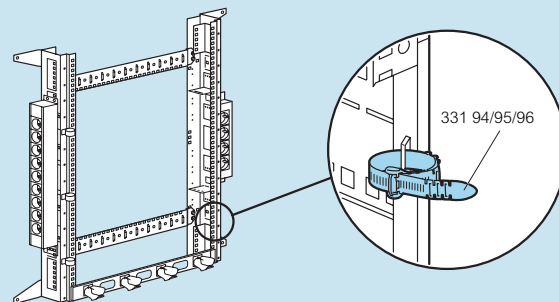


Ex: 16 U chassis Cat.No 340 72 + Cat.No 332 56 + 329 87 + 332 36

| Cat.Nos | Capacity | A (mm) | B (mm) | C (mm) | D (mm) |
|---------|----------|--------|--------|--------|--------|
| 340 70 | 6 U | - | 265 | - | 265 |
| 340 71 | 12 U | 465 | 265 | 465 | 265 |
| 340 72 | 16 U | 465 | 265 | 465 | 265 |

■ Cable management

Cable ties and ties with tightening indicators for fixing on supports for holding for cables (Cat.Nos 340 78/80) and VDI chassis



XL VDI 19" freestanding cabinets

General characteristics

Extendable metal cabinets
 Textured polyester coating RAL 9002 providing excellent corrosion and scratch resistance
 Front door made of safety glass
 Protection class against solid bodies and liquids: IP 20
 Protection class against mechanical impact: IK 08
 Max. load: 10 kg/U (i.e. 420 kg for a 42 U cabinet)
 500 kg for 42 U server cabinet

Conformity to standards

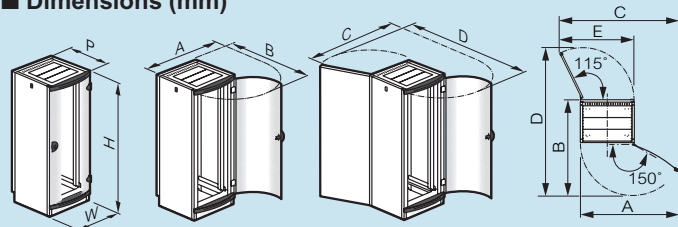
The XL VDI 19" cabinets are in accordance with the following standards:

| | |
|--|--|
| IEC 60529 EN 60529 | Degrees of protection provided by enclosures (IP code) |
| IEC 62262 EN 62262 | Degrees of protection provided by enclosures for electrical equipment against external mechanical impact (IK code) |
| IEC 60950-1 EN 60950-1 C 77-210-1 | Information technology equipment - Safety |
| EIA-310-D | Cabinets, racks, panels and associated equipment (ANSI/EIA/310-D-1992) |
| IEC 60297-1 & 2 DIN 41414-7 | Dimensions of mechanical structures of the 482.6 mm (19") series |
| IEC 60917-1 EN 60917-1 | Modular order for the development of mechanical structures for electronic equipment practices |
| IEC 60917-2-1 EN 60917-2-1 | Modular order for the development of mechanical structures for electronic equipment practices. Interface co-ordination dimensions for the 25 mm equipment practice (dimensions for cabinets and racks) |

The XL VDI 19" cabinets are designed to be integrated in installations that are in accordance with the following standards:

| | |
|--|---|
| EN 50173-1 | Information technology - Generic cabling systems |
| EN 50174-1 & 2 C 90-480-1 & 2 | Information technology - Cabling installation |
| ISO IEC 11801 | Information technology - Generic cabling for customers premises |
| NF C 15-100 Part 4-41 | Low voltage electrical installations |

Dimensions (mm)

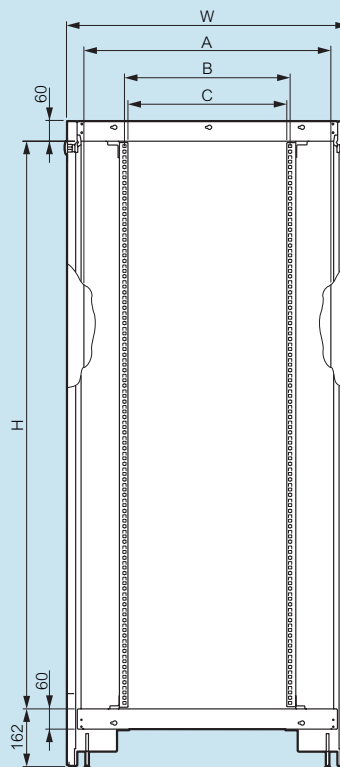


| Cat.Nos | H ⁽¹⁾ | W | P | Front door open | | Front & back doors open | | |
|----------------------|------------------|-----|------|-----------------|------|-------------------------|------|------|
| | | | | A | B | C | D | E |
| 332 18 | 1308 | 610 | 687 | 1100 | 1248 | 1343 | 1820 | 843 |
| 332 20 | 1533 | | | | | | | |
| 332 94 | 1708 | | | | | | | |
| 332 96/330 36 | 2108 | 810 | 887 | 1470 | 1448 | 1795 | 2216 | 1125 |
| 332 98/330 38 | | | | | | | | |
| 332 97/330 37 | | | | | | | | |
| 332 99/330 39 | 2333 | 810 | 1087 | 1470 | 1648 | 1795 | 2416 | 1125 |
| 332 01/330 41 | | | | | | | | |
| 332 00/330 40 | | | | | | | | |

(1) Without levelling feet

Front side dimensions (mm)

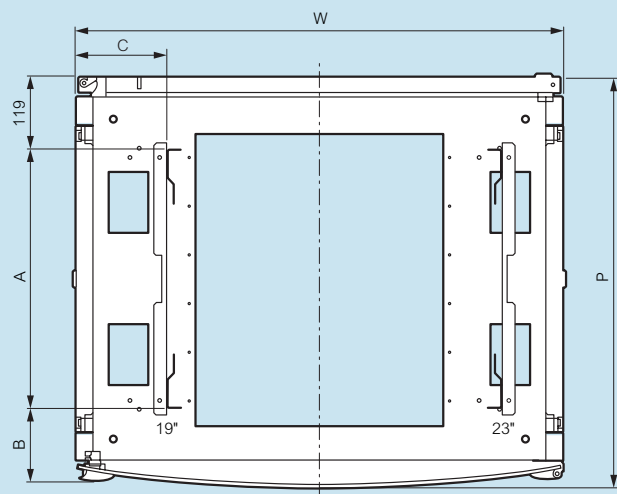
All cabinets are delivered in 19" configuration
 For 800 mm wide cabinets, the position of the uprights may be modified to take 23" equipment



| Cat.Nos | H | W | A | B | C |
|--|------|-----|-----|----------------------|----------------------|
| 332 18 | 1080 | 600 | 500 | 465 | 451 |
| 332 20 | 1305 | | | | |
| 332 94 | 1480 | | | | |
| 332 96/97 330 36/37 332 98/99/00 330 38/39/40 | 1880 | 800 | 700 | 465 566 (for 23") | 451 552 (for 23") |
| 332 01 | 2104 | | | | |
| 330 41 | | | | | |

XL VDI 19" freestanding cabinets (continued)

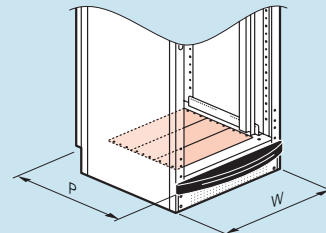
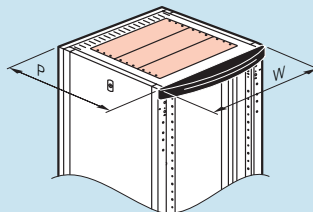
■ Top view dimensions (mm)



| Cat.Nos | W | P | A | B | C |
|---------------------------|-----|------|-----|-----|-----|
| 332 18/20/94/96 330 36 | 600 | 687 | 425 | 104 | 47 |
| 332 97 330 37 | 600 | 887 | 625 | | |
| 332 98 330 38 | 800 | 687 | 425 | 115 | 147 |
| 332 99/01 330 39/41 | 800 | 887 | 625 | | |
| 332 00 330 40 | 800 | 1087 | 825 | | |

Adjustments of dimension A in 12.5 mm steps
 - A max. = A + 50 mm
 - Front and back adjusted independently

■ Cable entry plates (mm)



Top plates

| | W. 600 | W. 800 |
|---------|------------------|------------------|
| | plates 444 x 159 | plates 737 x 174 |
| P. 600 | | |
| P. 800 | | |
| P. 1000 | - | |

Bottom plates

| | W. 600 | W. 800 |
|---------|------------------|------------------|
| | plates 444 x 159 | plates 444 x 159 |
| P. 600 | | |
| P. 800 | | |
| P. 1000 | - | |

■ Weight (kg)

The weights given are net weights (excluding packaging)

| Cat.Nos | Standard cabinet | Extension cabinet |
|---------------------|------------------|-------------------|
| 332 18 | 65 | - |
| 332 20 | 75 | - |
| 332 94 | 86 | - |
| 332 96/330 36 (ext) | 102 | 74 |
| 332 97/330 37 (ext) | 122 | 87 |
| 332 98/330 38 (ext) | 121 | 93 |
| 332 99/330 39 (ext) | 141 | 107 |
| 332 00/330 40 (ext) | 160 | 134 |
| 332 01/330 41 (ext) | 156 | 120 |