

NEW

LCS Legrand cabling system

Wi-Fi access points



742 51



327 39

Provide a wireless access to an Ethernet network: use for a printer, exchange data with other computers or access the Internet, from any computer equipped with an external Wi-Fi or standard Wi-Fi compatible (Intel® Centrino) card, without being connected to an RJ 45 socket

Comes in addition to new or existing LCS structured cabling for installation in areas where a number of people connect temporarily (example: conference room) and/or to meet the needs of mobile working

The installation must include at least:

- One Mosaic access point to be installed in place of or in addition to an RJ 45 socket, in trunking, columns or flush-mounting boxes
- One Power over Ethernet injector (LCS unit format) to be installed in patch panels (p. 791)



Installation principles (p. 800)
Technical characteristics (p. 800)

Pack	Cat.Nos	Mosaic access points for Wi-Fi
1	4 mod. 742 51	Size: 4 modules, for installation in flush-mounting box, on trunking, column, mini-column, etc Identical connection as for a RJ 45 sockets 48 V supply via PoE Security via WPA2 encryption (802.11i) and authentication (802.1x) Supplied with a configuration CD of access point Standard 802.11a and 802.11b/g dual band dual radio Equipped with an RJ 45 socket on the front panel Data rate: 54 Mbps max. on each frequency (802.11a and 802.11g)
1	742 48	Standard 802.11a and 802.11b/g dual band dual radio Data rate: 54 Mbps max. on each frequency (802.11a and 802.11g)
1	742 47	Standards 802.11 b/g Data rate: 54 Mbps max.

Pack	Cat.Nos	Power over Ethernet (PoE) injectors
1	327 37	Provide 48 V supply for 1 to 12 Wi-Fi access points via 4 twisted pair cable 1 input/1 output For supply of one access point Direct connection on the patch panel
1	327 17	2 inputs/2 outputs For simultaneous supply of 2 access points
1	327 38	6 inputs/6 outputs (19" panel format) For simultaneous supply of 6 access points
1	327 39	12 inputs/12 outputs (19" panel format) For simultaneous supply of 12 access points

LCS Legrand cabling system (continued)

■ Flush-mounting Ethernet 10/100 base T switches

	742 02	742 04	742 01
Power supply	230 V	PoE	230 V
Speed	10/100 Mbps		
Standards	802.3 / 802.3u	802.3u 802.3af	802.3 / 802.3u
Common technical characteristics	<ul style="list-style-type: none"> Operating temperature: from 0°C to +40°C Max. permissible humidity level: 95% Auto MDI-X (takes crossed and straight cords) Orange LED: - On: rate 100 Mbps - Off: rate 10 Mbps Green LED on: traffic 		
Additional characteristics	<ul style="list-style-type: none"> SNMP V2C (RFC 1901-1908) Support MIB II (RFC 1213) IP addressing via DHCP (according to RFC 2131) Can be administered via WEB interface Backup and updating of configuration files (Upload/download) 		

■ Mosaic Wi-Fi access points

A 802.11 a and b/g solution

Radio communication standard	802.11 b/g	802.11 a
Power over Ethernet standard	802.3 af	
Frequency band	between 2.40 and 2.48 GHz	5 GHz
Number of available channels (may vary in certain countries)	13	8
Max. gross rate	54 Mbps	54 Mbps

■ Advantages of a Legrand Wi-Fi access point

- Possibility of simultaneous operation on 2 frequencies, a and b/g
For example:
 - > 802.11g reserved for visitors
 - > 802.11a (limited interference) reserved for employees
 Provides a max. gross rate of up to 2 x 54 Mbps in simultaneous mode
- Very high security level: encryption (WPA2 - 802.11i) and authentication (802.1x)
- Possibility of roaming (moving from one access point to another without breaking the link)
- Quality of service (priority automatically given to voice, then video and finally data) in accordance with standard 802.11e
- Easy to configure and make secure: using the CD supplied with the access point.

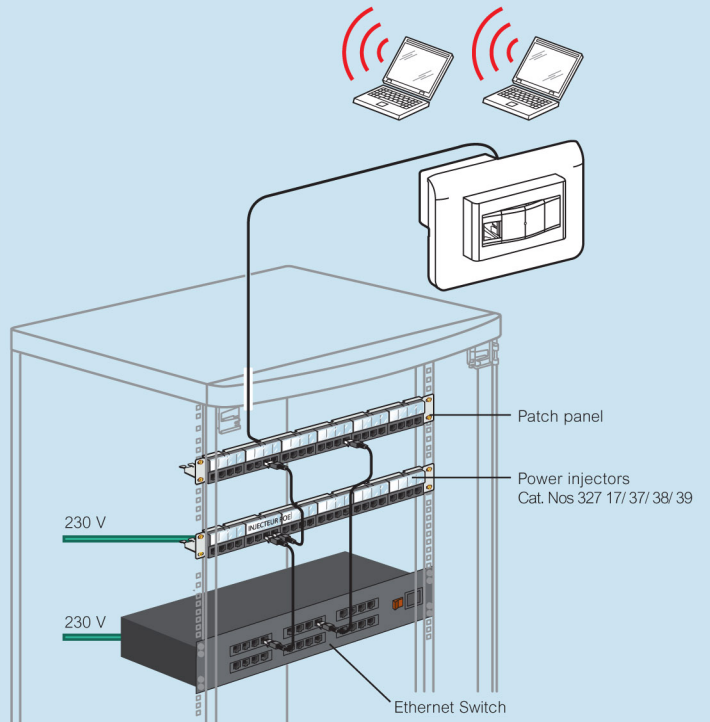
■ Installation

In all supports that can take a Mosaic mechanism (trunking, columns, flush-mounting boxes, floor boxes, etc)
Do not place access points behind an obstacle that would limit the radiation of the antenna
Access points are connected in the same way as RJ 45 sockets

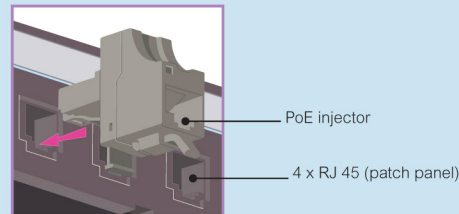
■ Sizing

- Provide 1 access point for 1 localised requirement (for example in meeting rooms)
- Provide 1 access point per 100 m² for global coverage and a maximum gross speed
- Provide 1 access point with an RJ 45 socket for an office used by visitors

■ Installation principle

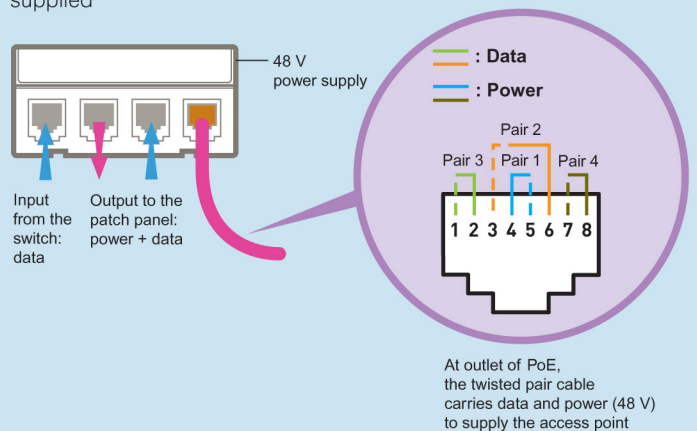


Particular case of the 1 port PoE: Clips directly onto a port on any patch panel
A single cord is necessary to connect it to a port on the switch



■ Operation of PoE

A PoE injector has one input and one output per access point to be supplied



■ Legrand services

- To guide you in setting up your VDI sites:
- Help with sizing the installation
 - On-site assistance for integrating products and making important installations secure please call +33 555 06 86 46